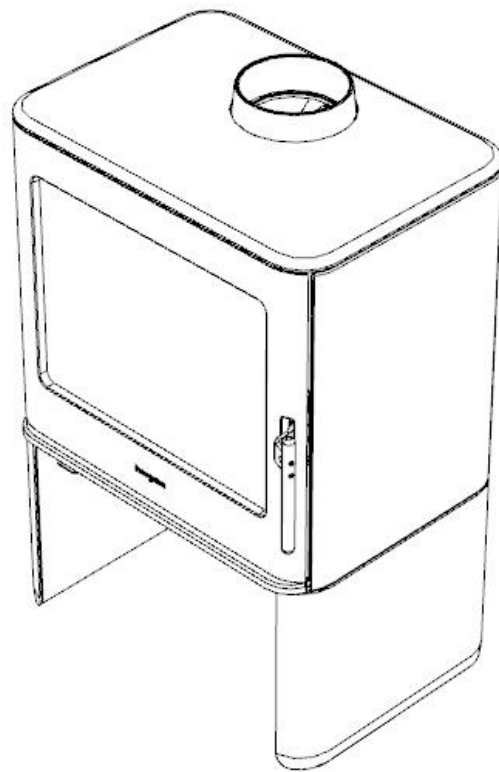


hergom

E-40

Owner's Manual



INSTALLATION, USE AND MAINTENANCE INSTRUCTIONS.
Certified to AS/NZS 4012 :2014 & AS/NZS 4013 :2014
Please read this manual thoroughly before installing and starting your fireplace.
Keep These Instructions for future reference.

WELCOME to the HERGÓM family.

We would like to thank you for choosing the E-40 Slow Combustion Wood Heater, which represents, in technique and style, a significant improvement on typical wood stoves.

Your new Stove is, perhaps, the most advanced solid fuel heating system known today. Owning a HERGOM Stove displays an exceptional sense of quality.

Please read this manual in full. Its purpose is to not only ensure correct installation but to also familiarize users with the device and provide operational and maintenance instructions. Keep this manual at hand for future reference.

If, after reading this manual, you should require any further clarification, please consult your regular dealer.

INDUSTRIAS HERGÓM, S.A. may not be held liable for any damages caused by alterations to its products that have not been authorized in writing, or for defective installation work.

Due to continuous improvement, Hergom reserves the right to change its products without prior warning.

Industrias Hergóm, S.A. domiciled in Soto de la Marina (Cantabria) - Spain, offers a Five year limited Warranty on the firebox (See warranty section for full details).

The warranty in Australia only includes product purchased through the Australian distributor network and installed correctly by a licensed installer.

The warranty comes into force on the purchase date of the product as indicated on the warranty document / purchase receipt and only covers damage or breakages due to manufacturing defects.

IMPORTANT NOTE

If the device is not installed correctly, it will not provide the excellent service for which it has been designed. Please, read these instructions in full and ensure the installation is carried out by a certified installer.

The surface of your heater is protected by a coating of special high temperature resistant paint, that requires curing. When lighting the fireplace for the first few times, the paint will normally emit some fumes, we therefore recommend ventilating the room well, until the paint is fully cured.

Table of Contents

Cover

Welcome and Important notes	2
-----------------------------------	---

Table of Contents	3
-------------------------	---

Warnings	4
----------------	---

1. Introduction	5
-----------------------	---

2. Presentation	5
-----------------------	---

INSTALLATION INSTRUCTIONS

3. Dimensions	7
---------------------	---

4. Safety Clearances to combustible Walls	8
---	---

5. Heatshield installation for Rear clearance	9
---	---

6. Installation instructions for Upper Baffle Draft Reducer.....	12
--	----

OPERATING INSTRUCTIONS

7. Using the stove	13
--------------------------	----

Air control the burn

How to control the burn

8. How to light your fire	14
---------------------------------	----

MAINTENANCE

9. Cleaning out the ash	15
-------------------------------	----

Flue Cleaning

Cleaning the glass

Door seal and door adjustment

10. Safety	16
------------------	----

11. Specifications	17
--------------------------	----

SPARE PARTS

12. Exploded parts diagram	19
----------------------------------	----

13. Parts List	20
----------------------	----

WARRANTY

14. Warranty terms	21
--------------------------	----

Warranty registration

15. Appliance Data Label	
--------------------------	--

WARNING: THE APPLIANCE & FLUE SYSTEM SHALL BE INSTALLED IN ACCORDANCE WITH AS/NZS 2918:2018 AND THE APPROPRIATE REQUIREMENTS OF THE RELEVANT BUILDING CODE OR CODES.

WARNING: APPLIANCES INSTALLED IN ACCORDANCE WITH THIS STANDARD SHALL COMPLY WITH THE REQUIREMENTS OF AS/NZS 4013:2014 WHERE REQUIRED BY THE REGULATORY AUTHORITY, I.E. THE APPLIANCE SHALL BE IDENTIFIABLE BY A COMPLIANCE PLATE WITH THE MARKING “TESTED TO AS/NZS 4013:2014”.

ANY MODIFICATION OF THE APPLIANCE THAT HAS NOT BEEN APPROVED IN WRITING BY THE TESTING AUTHORITY IS CONSIDERED TO BE IN BREACH OF THE APPROVAL GRANTED FOR COMPLIANCE WITH AS/NZS 4013:2014.

CAUTION: MIXING OF APPLIANCE OR FLUE SYSTEM COMPONENTS FROM DIFFERENT SOURCES OR MODIFYING THE DIMENSIONAL SPECIFICATION OF COMPONENTS MAY RESULT IN HAZARDOUS CONDITIONS. WHERE SUCH ACTION IS CONSIDERED, THE MANUFACTURER SHOULD BE CONSULTED IN THE FIRST INSTANCE.

CAUTION: CRACKED AND BROKEN COMPONENTS, e.g. GLASS PANELS OR CERAMIC TILES, MAY RENDER THE INSTALLATION UNSAFE.

- 1. WARNING: ANY MODIFICATION OF THE APPLIANCE THAT HAS NOT BEEN APPROVED IN WRITING BY THE TESTING AUTHORITY IS CONSIDERED AS BREACHING AS/NZS 4013.**
- 2. WARNING: DO NOT USE FLAMMABLE LIQUIDS OR AEROSOLS TO START OR REKINDLE THE FIRE.**
- 3. WARNING: DO NOT USE FLAMMABLE LIQUIDS OR AEROSOLS IN THE VICINITY OF THIS APPLIANCE WHEN IT IS OPERATING.**
- 4. WARNING: DO NOT STORE FUEL WITHIN THE HEATER INSTALLATION CLEARANCES.**
- 5. WARNING: WHEN OPERATING THIS APPLIANCE AS AN OPEN FIRE USE A FIRE SCREEN.**
- 6. WARNING: OPEN AIR CONTROL (AND DAMPER WHEN FITTED) BEFORE OPENING FIRING DOOR.**
- 7. CAUTION: THIS APPLIANCE SHOULD NOT BE OPERATED WITH A CRACKED GLASS.**
- 8. CAUTION: THIS APPLIANCE SHOULD BE MAINTAINED AND OPERATED AT ALL TIMES IN ACCORDANCE WITH THESE INSTRUCTIONS.**
- 9. CAUTION: THE USE OF SOME TYPES OF PRESERVATIVE-TREATED WOOD AS A FUEL CAN BE HAZARDOUS.**

1 - INTRODUCTION

IMPORTANT! All local regulations and standards must be adhered to with regards to installation of this heater and chimney flue. Installation must be carried out by a suitably qualified professional installer. Check with your local authority for clarification.

The way the E-40 Stove is installed will directly affect safety issues and its correct operation and function. It is important to install the fireplace correctly. For the correct installation of the E-40 Stove and chimney, we recommend the installation be performed by a professional.

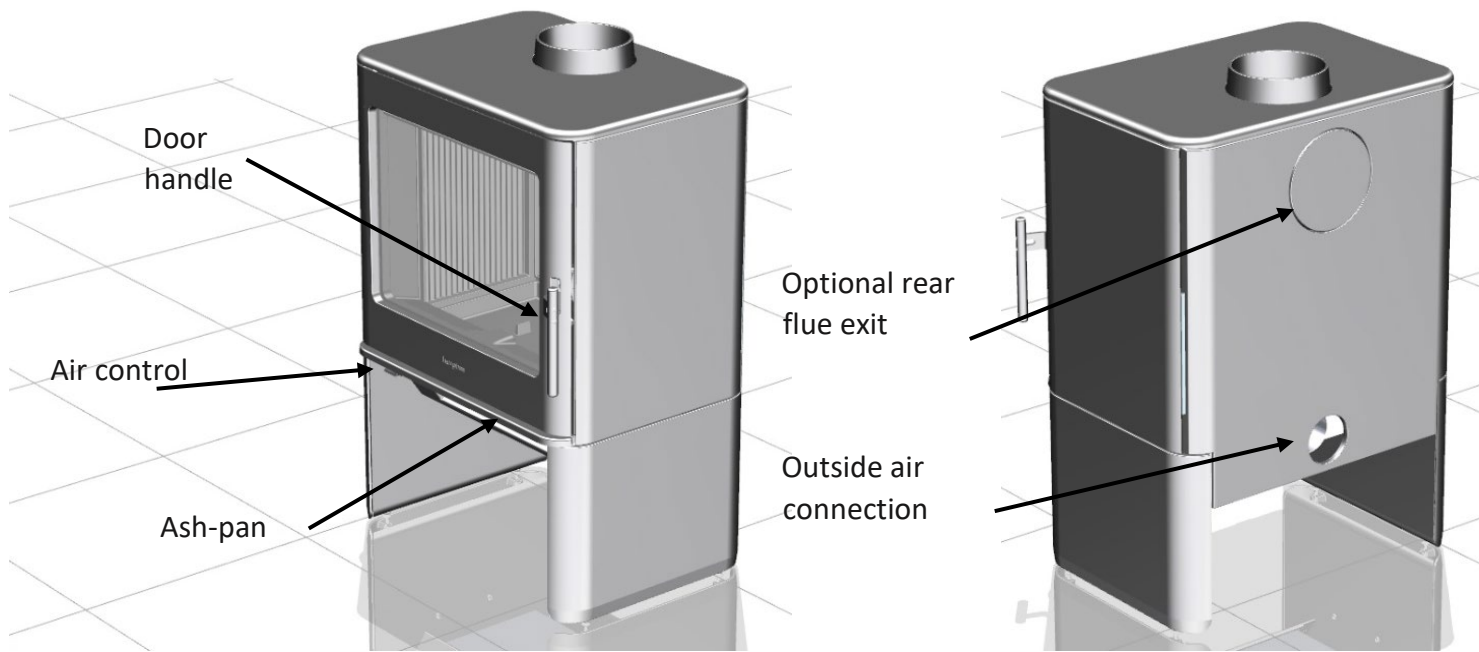
The E-40 Stove provides heat by radiation; directly heating walls, ceilings and surrounds.

2 - PRESENTATION

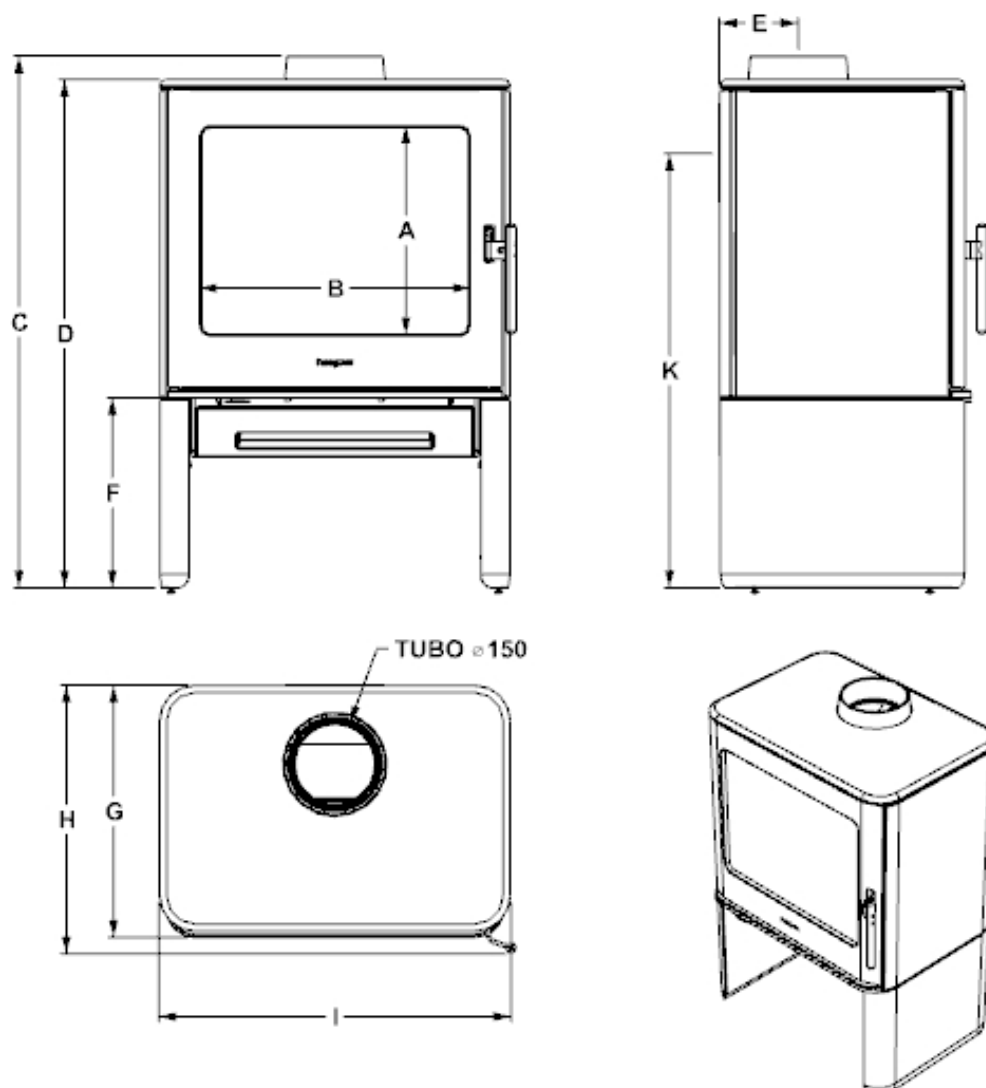
E-40 wood stoves have the following main features:

- Made of cast iron for even distribution of heat and longevity, all parts are assembled, sealed and bolted together.
- The internal lining is manufactured in cast iron with a white Satin Enamel finish.
- The baffles keeping the hot flue gases in the firebox for longer, are also made of cast iron, including the vertical top baffle extension. The tertiary burn of flue products above the baffle also making the unit more efficient.
- The chimney flue can exit through the top or as an option it can be rear flued. Simply swap the blanking plate (7) with the flue spigot (6).
- The solid cast iron hinged front door contains a ceramic glass pane great for radiating the heat.
- Designed for use with hardwood firewood only.
- The firebox can easily burn pieces of wood up to 50cm in length.
- The Removable ash tray with cast iron front makes it easy to remove all the ash during Maintenance cleaning. Note Ash tray must be fully pushed into position during running of the fire.

- Includes a solid grill base, designed for burning with a bed of ash included.
- Single control easy slide handle for Primary and Secondary air adjustment.
- Pilot air valve opens when air control is fully open, for quick lighting of the heater by bellowing the base of the fire.
- The secondary air supply includes air wash for Self-cleaning glass.
- Optional outside air connection located on the back of the ash pan to supply air to firebox.
- Adjustable feet screws to stabilize the stove when installed in un even surfaces.
- This fireplace provides heat by radiation, directly heating walls, ceilings, furniture and you!
- Fully factory assembled, ready for connection to the chimney flue.



• 3 - DIMENSIONS



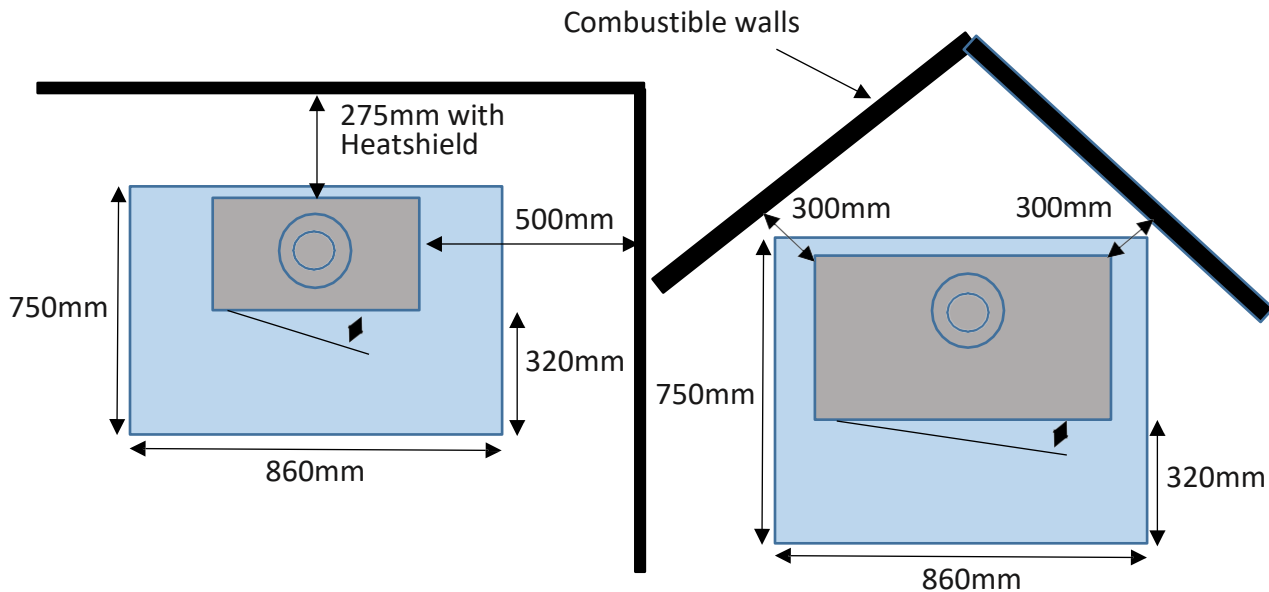
mm	E-40 M
A	360
B	460
C	910
D	870
E	135
F	325
G	430
H	460
I	600
K	740

4 - INSTALLATION

Safety-Clearances shown in below are both for installing with the Rear heat-shield accessory included.

The heatshield is not required only if installing in front of a non combustible or double brick Wall.

SAFETY DISTANCES



The minimum thickness of hearth is minimum equivalent to 9mm thick cement sheeting (ie Bellis board or FC sheeting) for insulation and a top surface with Heat resistance to 600 degrees C.

OUTSIDE AIR CONNECTION

- When installing the stove using the outside air connection, we recommend that the installation is performed by qualified personnel.
- Always keep in mind that air is entering the stove through the connector. This air inlet can never be blocked. Ensure that the pipe connecting the stove to the outside cannot be crushed and that the entrance to the pipe cannot be blocked on the outside. It is necessary to cover the inlet with a protective vermin proof grill.
- The location of the outside air inlet of air must be protected from the wind to avoid a possible positive or negative pressure from affecting the combustion of the stove.
- The diameter of the ducting pipe to supply outside air is 80mm.

Flue Installation

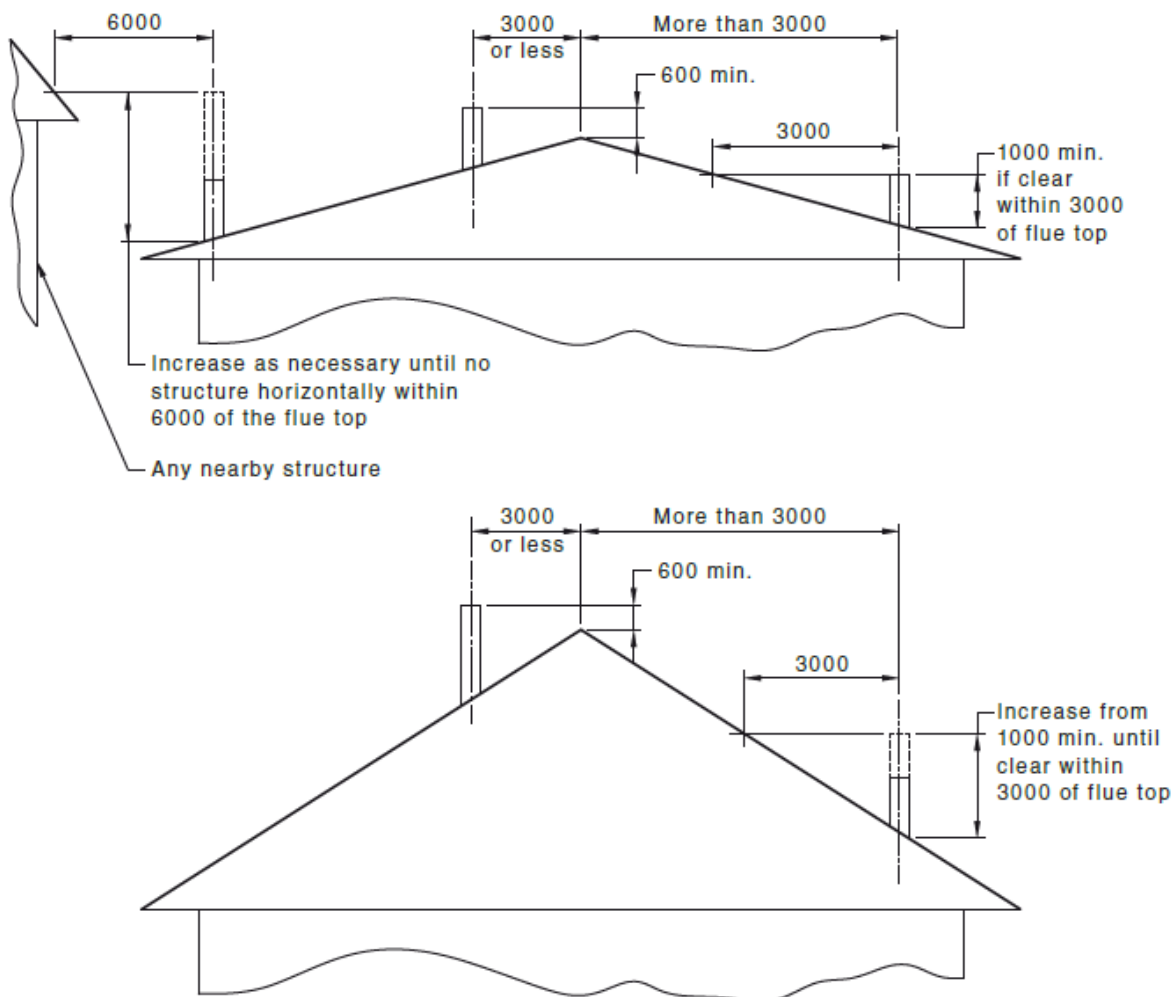
The Flue type required: 152mm (6") active flue and a solid 8" heat shield within the room, and air cooled Double casing insulation (triple skin) from above the ceiling, as per AS2918:2018 default flue kit. See diagrams below for flue requirements. The Active 152mm flue must be a tight fit into the heater collar.

The heater must have its own dedicated flue. The active flue must be 6" for the entire length of the flue, and always less than 45 degrees from the vertical.

Replacement room air from outside equivalent in open area to 91cm² must be supplied into the room.

Flue Outlet Positions

Minimum Flue Height as per AS/NZS 2918:2018



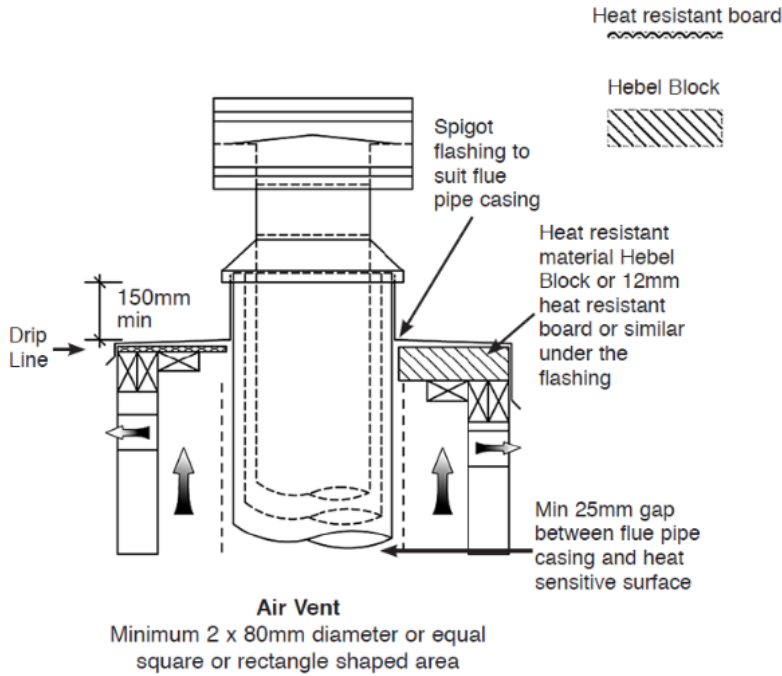
DIMENSIONS IN MILLIMETRES

NOTE: Flue exit MUST also be as high as any nearby structure within a 6m Radius. (AS 2918:2018)

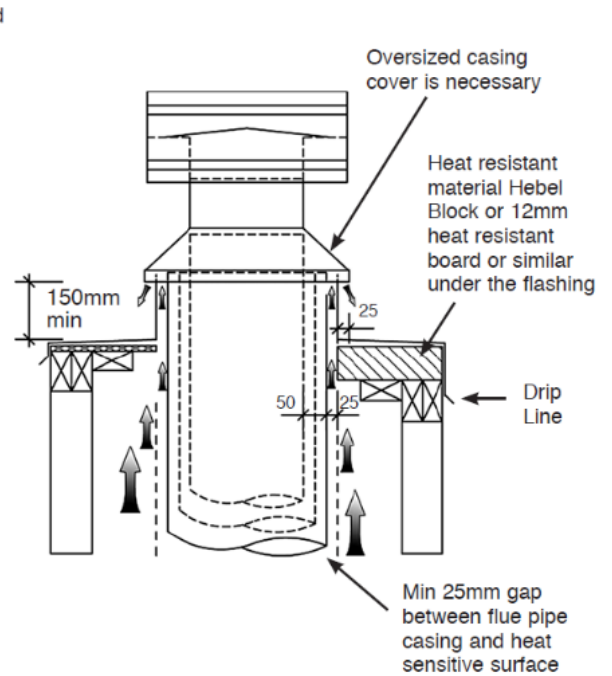
External Requirements

Refer to AS/NZS 2918:2018

Air Ventilation Through Chimney Chase



Air Ventilation Through Top Flashing

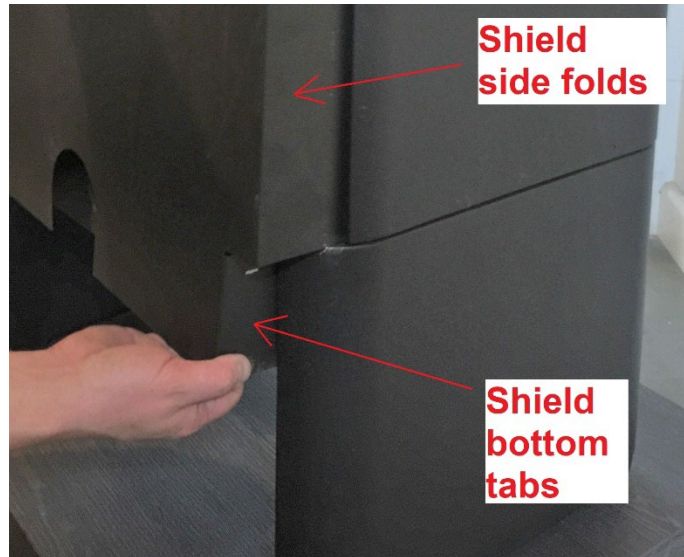


Note: All external air vents & ceiling penetrations must be bird & rodent proofed with permanently fixed screens

5 - Heat shield Instructions For Rear Clearance to Combustible Wall

Note that during assembly, clamping down the top pulls in the side panels, and with castings the gaps between the rear and side panels may vary slightly. This could make the heatshield a slightly tighter fit on one side or the other.

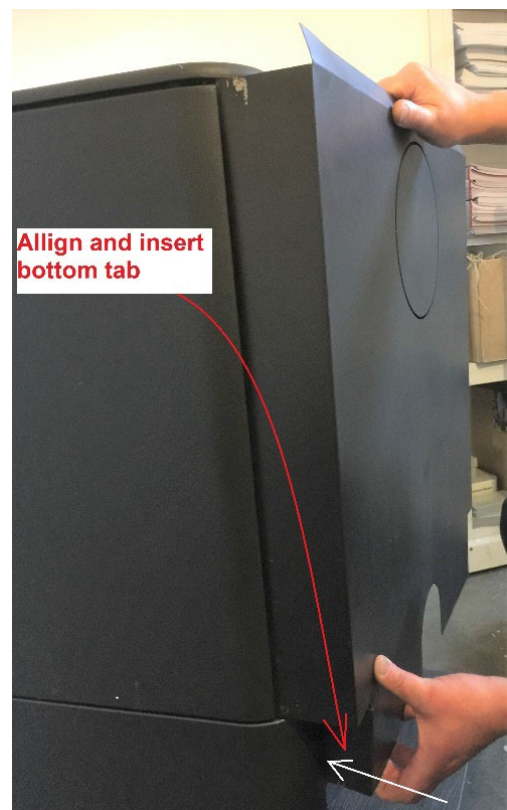
1. At the widest part of the heatshield, it return folds, which are to slot in between the rear Cast panel of the heater and the side Cast Iron panel. bottom folds or tabs, slot between the and the rear panel. See pic.



has
The
legs



2. Doing one side at a time, make sure the bottom of this fold is aligned above the top of the Cast Leg, and below the bottom of the Heater cast top. Push the heatshield slightly so it catches in this gap.



3. Then before going any further, align the bottom folded tab so it will insert between the cast leg and the cast back panel. Then tap the heatshield on this side edge so it is slightly inserted into the gap. Don't push in too far until the other side is inserted.

4. Do the same on the opposite side of the heater, aligning the fold with the gap in the firebody, and then aligning the tab with the gap next to the leg, as per the first side.

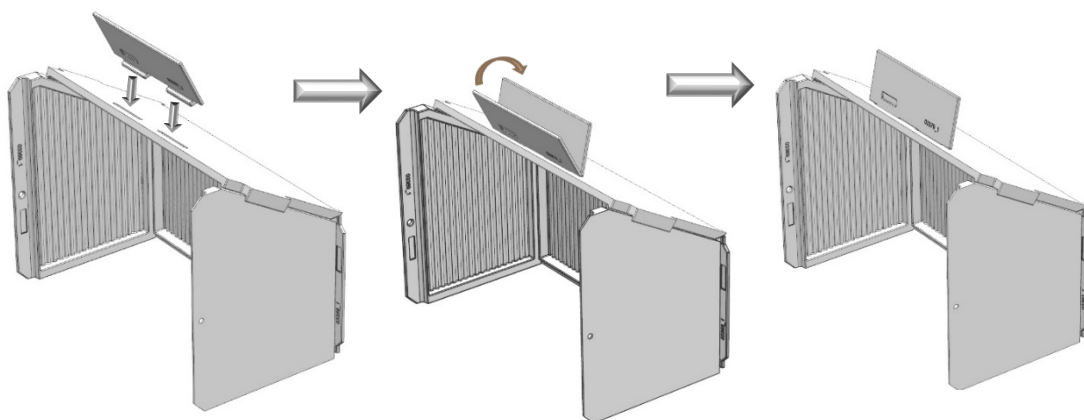
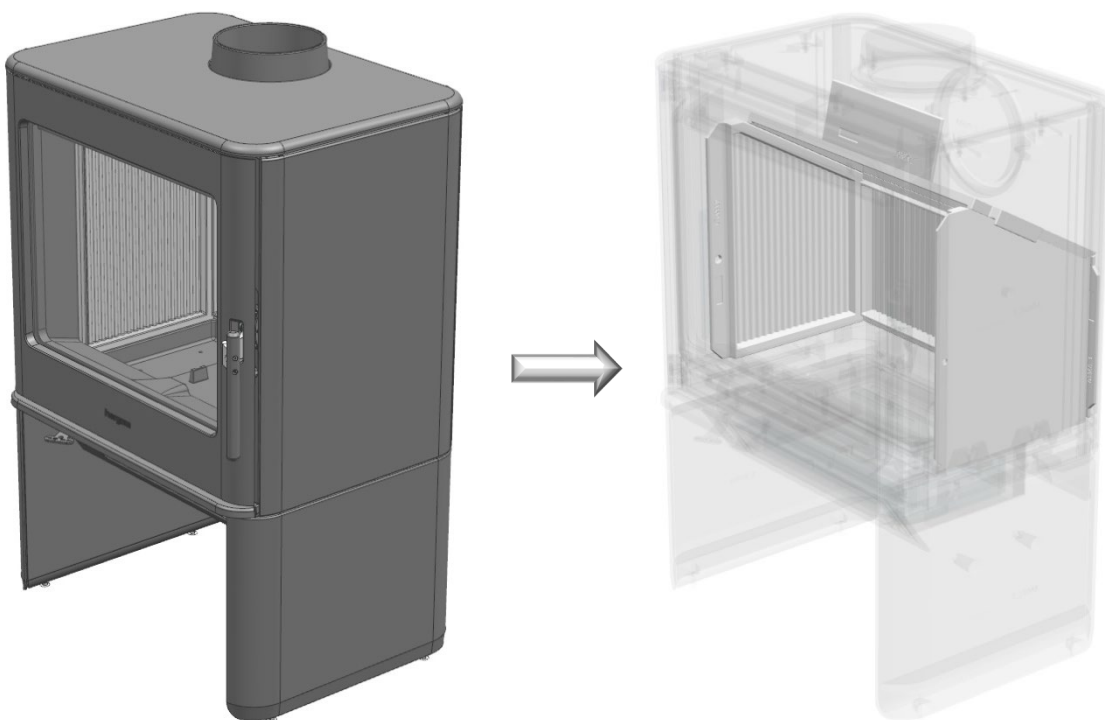
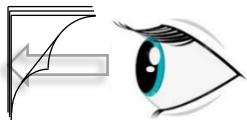


5. Once aligned, hit the heatshield with the palm of your hand until it is secured into position. The air gap between the vertical heatshield and the back of the heater should be 25mm (ie not counting the tapered fold at the top).



6 - Installation Instructions for the Upper Baffle Draft reducer

4	9920683	Insert Cast Iron baffle deflector plate
---	---------	---



7 - USING THE STOVE

Once your stove has been installed and connected to the chimney, you are ready to light the fire.

Although your stove is easy to use, the combustion process of solid fuels is complicated, as it involves several factors and it takes time and experience to understand the process.

Before lighting your stove for the first time, please take time to become familiar with the different control systems and parts of the unit, how to choose the right wood, how to light it quickly and use it on a daily basis.

ALWAYS KEEP IN MIND that the stove generates heat and, therefore, keep children, clothing, furniture... at a distance to prevent burns from direct contact with the appliance.

Below, we have included some advice on your stove and on its use. Please read with care.

Door handle

To open the door, turn the handle upward to the open position, and gently pull.

The door can open up to 100°.

To close, lift the handle up to the open position, close the door, then gently push down on the handle to lock in the closed position (Fig. 3).

Air Control Handle:

It is placed, half-hidden, on the left-hand side just under the door. (Fig.3).

It works by sliding it to the left or to the right.

It has two functions:

- Regulates the air for combustion and self-cleaning the glass,
- Open or close the pilot air inlet that helps the first lighting.

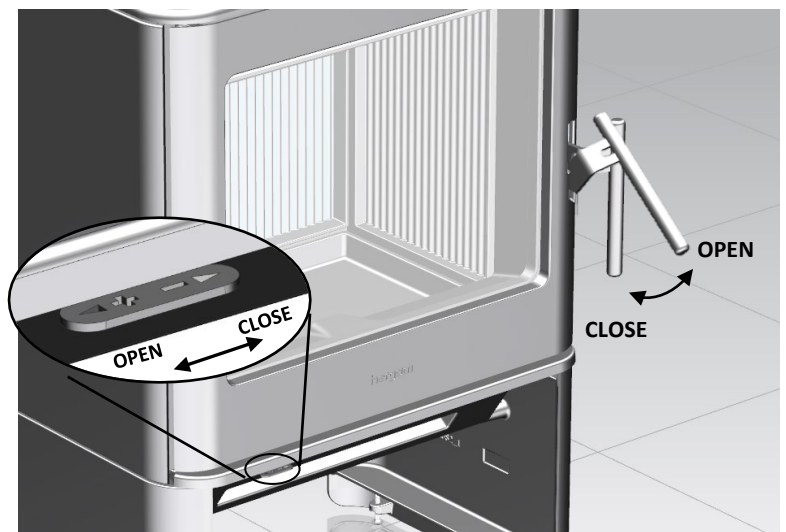


FIG. 3

Air Supply lever fully open (to the LEFT)

Fully open the air valve when lighting the stove.

This opens the pilot air supply hole, which helps the lighting of the stove, by bellowing a jet of air to the base of the fire, from the front centre of the stove.

When activated, you will notice the bright color of the embers in the center of fire.

At the same time, the air supply to the air wash is open, and oxygen hitting the glass panel will assist in cleaning off soot build up on the glass.

Air Supply lever fully closed (to the RIGHT).

Once the fire is burning along nicely, adjust the air control lever to prevent excessive air intake, which will cause excessive combustion levels and temperatures which can damage the heater.

When the fire is ready to be shut down, turn the valve handle to the right, reducing the air supply. You will notice the variation in the flame pattern and the difference without the pilot air function.

Once the stove is burning well, set the air controls to fix the desired fire intensity. Somewhere in the middle range is usually the ideal setting, but this will vary by trial and error, depending on the quality of the wood being used and the height and draw of the chimney flue.

Ash pan

Very important!

Only handle the ash pan when the stove is cold.

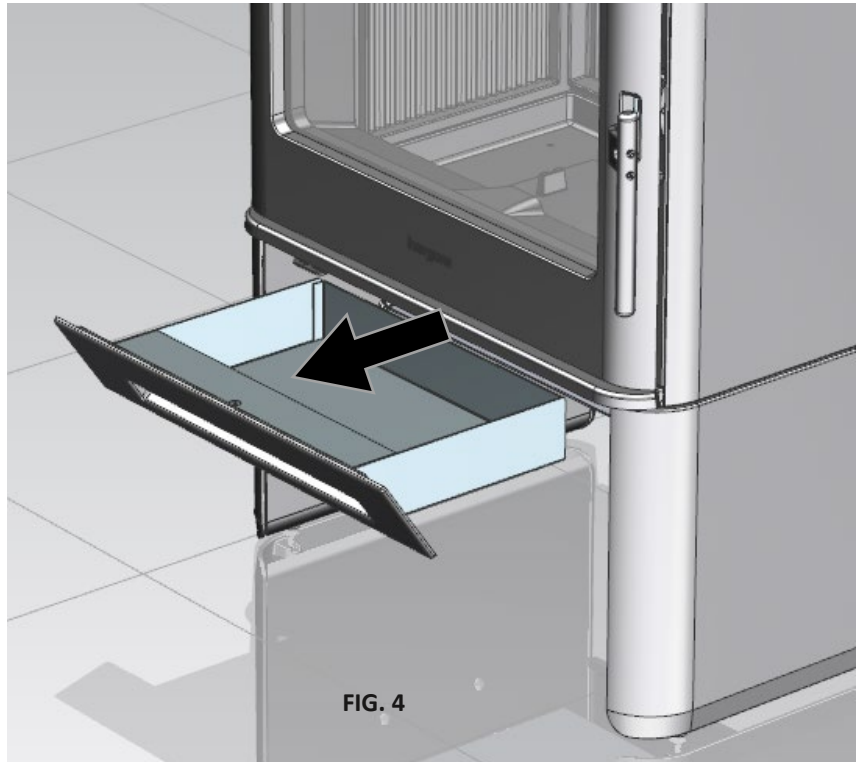
Always avoid opening the ash-pan if your stove is in operation.

To clean the ash, lift the solid grill plate located at the bottom of the stove.

Use a tool (brush) to sweep the ash into the ashpan. Remove the ash-pan from the front (Fig. 4).

To remove the ash-pan from its position, pull the handle gently to release it. Once you have emptied the ashes, return the ash pan to the ash drawer, pushing it into place to create a seal.

Do not forget to replace the cover in the bottom of the fire box.



8 - LIGHTING THE FIRE

Important Note: When first lighting the fire there may be some moisture in the stove, produced by the humidity of the environment where the stove was stored.

It is very important that the first time the heater is lit, it is done so slowly.

This is for the following reasons:

- Stabilise cast iron parts.
- Harden the joint sealant putty. Advice:
- We recommend that the first loads of fuel be small.
- To generate draw, heat the chimney by introducing some burning paper in the gap between the front and the deflector, directing it toward the chimney.
- While lighting for the first time, ensure the room where the heater is located is well ventilated as the paint work may let off some fumes as the paint cures
- Keep the stove on for a few hours at this intensity.
- **IMPORTANT! The total height of the fire load should not exceed 50% of the height of the combustion chamber.**
- **The heater must be closed at all times during combustion to prevent smoke from leaking out. Only open to add fuel.**

Daily use

After lighting up for the first time, your heater will be ready for daily use.

Your heat requirements will be obtained based on the frequency and the amount of firewood you load.

When your heater is cold, we recommend lighting it up slowly.

Overheating.

Overheating means that you have operated your heater at an excessively high temperature for a long period of time. This can damage your appliance and, therefore, it is a situation that must be avoided.

Overheating is the result of excessive draw, due to any of the following reasons:

- The Primary Air Control is excessively open for the type of wood being used.
- The chimney is too tall.
- Improper maintenance of the stove, which may result in air infiltration.
- Inappropriate fuel that produces high temperatures.
- Door not closed correctly. **ATTENTION!**

During the operation of the stove, the ash pan cover must be perfectly positioned to seal the fire box. Any uncontrolled intake of air produces overheating that can damage the stove.

HEATERS WITH ENAMEL IN MAJOLICA VERY IMPORTANT! (Applies only to certain models)

In the event of uncontrolled overheating, the different expansion levels of the cast iron, can cause issues with the heater finish, especially with Vitreous enamel components, if applicable, which can cause the enamel to chip.

To avoid this inconvenience, control combustion and never overheat the heater.

INDUSTRIAS HERGÓM S.A. may not be held liable for the deterioration of the stove's finish, if these instructions are not followed.

9 - CLEANING & MAINTENANCE

Your heater is a device that is subjected to extreme temperatures and to the corrosive effects of combustion residual materials. Regular maintenance is essential for a longer life and improved user experience. We recommend performing the following inspections frequently.

DURING THE SEASON

- Perform a visual inspection of the chimney. Clean soot and tar if they have begun to accumulate on the inner walls of the heater.
- Check whether the doors close tightly; adjust if necessary.

AT THE END OF THE SEASON

- Inspect and clean the chimney.
- Use the vacuum cleaner to clean inside the heater and inspect it.
- Any soot and tar (creosote) that has accumulated on the walls of the heater will hinder performance.
- Inspect door seals. These should be replaced when they no longer seal the door perfectly.
- In the case of painted heaters, paint the cast iron parts again if necessary

CLEANING

Cleaning should always be performed when the heater is cold.

Cleaning ash.

These heaters are equipped with an ash pan located at the bottom of the heater.

Remove the ash pan and remove the ash.

Ash should be emptied into a metal container and immediately removed from the house.

If necessary clean the ash pan housing.

Enameled parts. (Applies only to certain models)

Preferably use a damp cloth.

Do not use strong or abrasives detergents that might damage the surface.

Painted parts

Clean with a dry cloth to avoid rust.

Chimney and connecting unit

Ensure the flue is installed by a qualified plumber, and have the flue cleaned regularly, every 12 months if possible.

DOOR PANELS

Cleaning

Fireplace window cleaning liquids are quite effective products.

Never try to clean the glass while the fireplace is working.

We recommend using wood heater fire window cleaning products for their proven efficacy.

If the glass on the fireplace door is constantly covered in soot, this means your fire is “poor” and that the connecting pipe and chimney are being blocked by soot and creosote, or burning green or wet wood.

Replacing.

The glass in your heater have been especially manufactured for log stoves.

If they should break, they must be replaced by another glass panel with the same technical specifications.

Contact our Distributor to provide you with the appropriate glass, together with instructions to assemble and seal.

MAINTENANCE PRODUCTS

Contact your dealer for a range of products for the preservation of your heater and chimney at your disposal: heat resistant paint, refractory putty, anti-soot products, firelighters, glass cleaning products.

10 - SAFETY

WARNING!

Gas/log/pellet units get hot when in use.

Consequently, owners must act with precaution and keep at a distance. Especially keep children, the elderly and other people who require special supervision, as well as pets, away from the fireplace when it is in use.

Make sure that children or other people who are not familiar with how the device works are supervised by responsible people when they are near the fireplace.

In order to prevent burns or children or other people from coming near the appliance, use a fire grille or screen.

A number of possible risks are present when operating your solid fuel oven with fuel of any brand. The said risks can be minimized if the instructions and recommendations included in this manual are followed.

- When installing the stove, observe the necessary safety distances for the oven and chimney from combustible surfaces (wooden or papered walls, wooden floors...). Safety distances must be respected when the lining on walls or nearby areas may be damaged or deformed by temperature (varnish, paint, PVC...). Fig. 6
- The base where you are going to install your heater must be flat and provide a perfect seat. The said base must also be capable of supporting the weight of the heater. The base must be built using heat resistant materials.
- All the area around the heater must be heat resistant. If not, they must be protected by fire-proof material.
- Ash should be emptied into a metal container and immediately removed from the house.
- Do not use flammable liquids to light the stove. Keep any type of flammable liquid (petrol, gasoline, alcohol,) at a distance from the fireplace.
- Never use coal or fuels that are not recommended for the operation of this product.
- Periodically inspect the chimney and clean whenever necessary. Also inspect the state of joints, glass, screws...
- **Protect your hands with a glove or other insulating material because, during operation, the opening and closing handle will be hot.**

11 – TECHNICAL SPECIFICATIONS

	E-40 M
Maximum Average power (kW)	9
Average temperature at flue ring (°C)	340
Efficiency /	
Maximum log size (mm)	500
Flue Diameter (Ø)	150
Minimum chimney height (m) from hearth	4.6m
Recommended draw (Pa)	12
Flue outlet	Vertical / Horizontal
Weight (Kg)	150
Outside air inlet pipe diameter (Ø mm)	80
Minimum diameter of the outside air inlet pipe (Ø mm)	80
Maximum length of the outside air inlet pipe from outside (m)	8m

In the case of other dimensions consult your Dealer or the Manufacturer (Approximate Values)

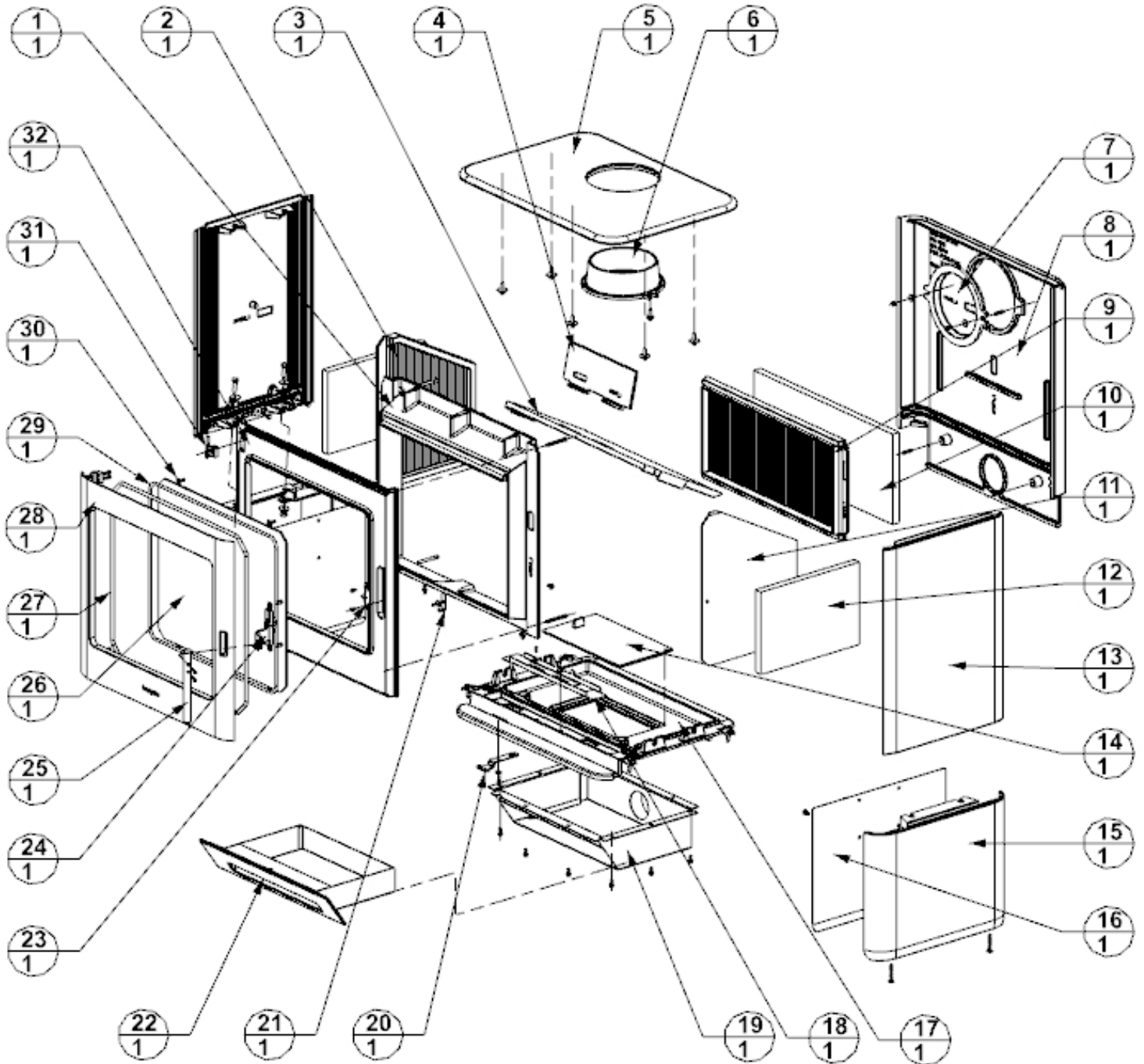
ATTENTION! Your heater should not be used as an incinerator and no other types of fuel should be used (plastic, chipboard...). Use recommended fuels only.

Do not use wood washed ashore from the sea as fuel (driftwood).

The salt contained in it will react in the combustion process and release acid that will damage the iron and steel.

12 - EXPLODED PARTS VIEW

Part number on Drawign reference followed by the Quantity included.



13 - SPARE PARTS LIST

Nº	CODE	DESCRIPTION
1	9920684	E40 - Door Frame
2	9920655	E30/E40 - LHS Inner Lining Cast Iron
3	9920681	E30/E40 - Baffle Plate Cast Iron
4	9920683	E30/E40 - Upper Extension Baffle Plate Cast Iron
5	9920685	E40 - Top Plate Outer Cast Iron
6	9920686	E40 - Flue Collar – Flue Spigot
7	9920687	E40 - Rear Flue Blanking Plate
8	9920688	E40 - Back Panel Outer Cast Iron
9	9920657	E30M/E40 - Rear Cast Lining
10	9920689	E40 - Fibre Glass Insulation Back
11	9920658	E30M/E40 - RHS Inner Lining Cast Iron
12	9920690	E40 - Fibre Glass Insulation Sides (x 2)
13	9920691	E40 - Side Panel Outer Cast Iron
14	9920182	E30/E40 - Solid Bottom Grate
15	9920692	E40 -Heater Leg (Left and Right) Cast Iron
16	9920693	E40 - Heater Leg Lining – Mild Steel
17	9920694	E40 - Firebox Base
18	9920695	E40 - Primary Air Slider Valve
19	9920696	E40 - Drawer Enclosure for Ash Tray
20	9920697	E40 - Air Control Handle
21	9920698	E40 - Pilot Air intake for igniting fire
22	9920699	E40 - Ashtray complete (Cast front, Gal tray)
23	9920057	E30/E40 – Door Catch
24	9920700	E40 - Door Lever with Latch
25	9920701	E40 - Door Handle
26	9920702	E40 - Door Glass
27	9920193	E30/E40 – Door Rope 10mm Diameter (x 3m)
28	9920703	E40 – Door
29	9920192	E30/E40 - Door Glass Rope 6mm (x 3m)
30	9917002	E40 - Glass Fixing Clips + Screws (4)
31	9920197	E30/E40 - Door Hinge Set
32	9920704	E40 - Front Panel Cast Iron

We recommend using spare parts recommended by the manufacturer.

14 – WARRANTY

INDUSTRIAS HERGÓM, S.A., rejects any liability derived from a faulty installation or incorrect use and reserves the right to alter its products without prior warning.

Any liability due to manufacturing defects will be subject to the criteria and verification of the company's experts and will be limited to the repair or replacement of its products, excluding any construction work or damage the said repairs may cause.

Warranty:

Hergom offers the purchaser of this appliance a limited 5-year warranty against manufacturing defects from the date of purchase:

Fireplace firebox	5-year Warranty
Glass, Refractory Firebricks, Door seal, Glass, Flame Grate, Paint	Not covered by warranty as their use is out of the manufacturers control and subject to quality of firewood, and user operation.

The warranty is voided by any evidence of tampering by unauthorised persons, misuse or abuse, or if the product has not been used as per the instructions.

Conditions to activate the warranty:

1. The appliance must be within the time limits described above (the date from which the product was purchased will be considered as the start of the warranty period).
2. The complaint must be presented and validated by one of our agents and endorsed by Hergom.
3. The installation, use and maintenance conditions described in this manual have been strictly respected and no misuse has occurred or changes or modifications to the product.
4. The Warranty is limited to the replacement / repair by the Hergom or its agent of the components known to be damaged and excludes any other type of cover or damages.

Our goods come with guarantees that cannot be excluded under the Australian Consumer Law. You are entitled to a replacement or refund for a major failure and for compensation for any other reasonably foreseeable loss or damage. You are also entitled to have the goods repaired or replaced if the goods fail to be of acceptable quality and the failure does not amount to a major failure.

The benefits given under this Limited Warranty are in addition to other rights and remedies you have under the Australian Consumer Law that cannot be excluded.

15 – APPLIANCE DATA LABEL

Appliance Data label:

hergom

MODEL - E-40

SERIAL NO:

TESTED BY	TEST REPORT NO
AUSTRALIA SOLID FUEL TESTING	ASFT18056
3 GARDEN STREET MORWELL	DATED: 13/06/2018
VIC 3840 AUSTRALIA	

WHEN TESTED IN ACCORDANCE WITH AS/NZS4012:2014
& AS/NZS4013:2014

MAXIMUM AVERAGE HEAT OUTPUT
BURNING HARDWOOD 7.1kW
OVERALL AVERAGE EFFICIENCY BURNING HARDWOOD
62%
PARTICULATE EMISSIONS FACTOR
1.4g/kg

IMPORTED BY:
CASTWORKS
12a FIVEWAYS BLVD
KEYSBOROUGH VIC 3173,
AUSTRALIA.

MANUFACTURED BY:
INDUSTRIAS HERGOM S.L.
C/ BORRANCHO S/N
39110 SOTO DE LA MARINA
SPAIN

hergom