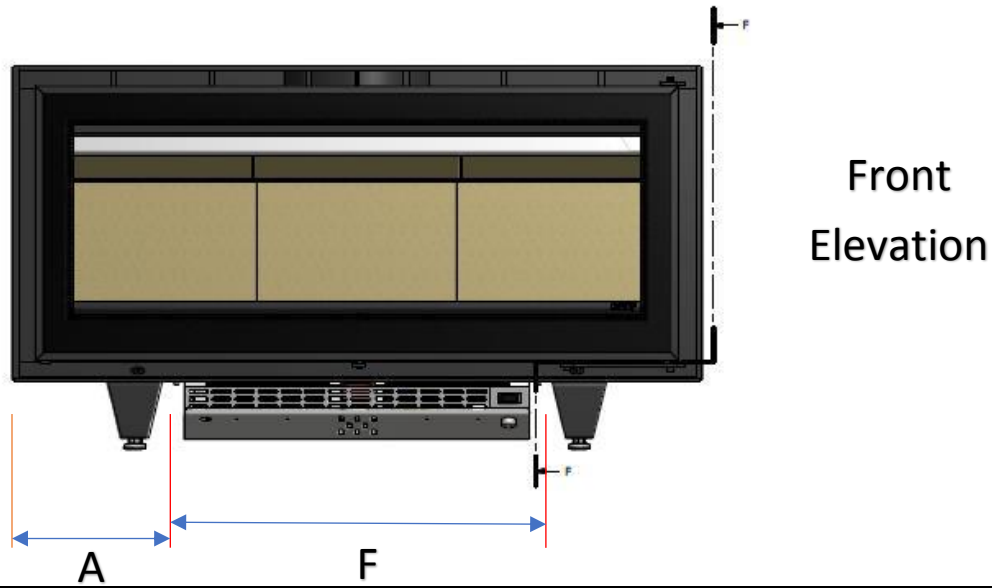
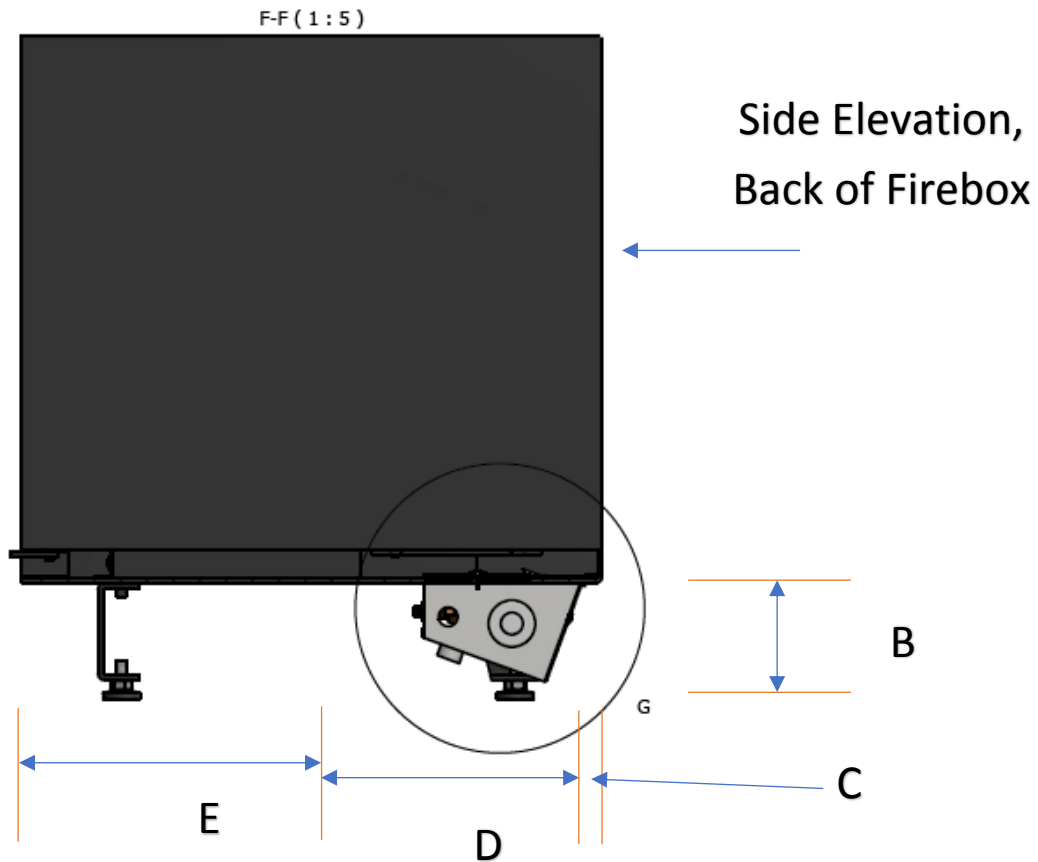


ADF Fan Position for the Bench Cut Out (Feet for In Transit - to be removed).



Dimensions (mm):	A	B	C	D	E	F
820 NMV	150	85	20	210	220	560
1000 NMV	240	85	20	210	220	560



Fan is accessible through the Firebox by removing the base bricks and removing the Blanking plate in base of Firebox.