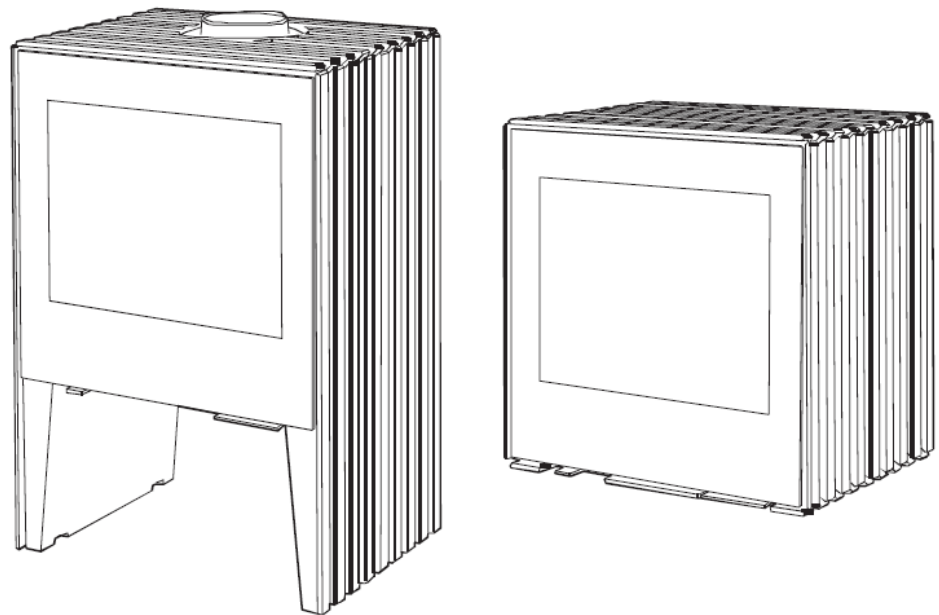


hergom

GLANCE M

This Australian Installation Manual

Addendum – use for Installation in conjunction with User's Manual.



INSTALLATION, USE AND MAINTENANCE INSTRUCTIONS.

Certified to AS/NZS 4012 :2014 & AS/NZS 4013 :2014

Please read this manual thoroughly before installing and starting your fireplace.

Keep These Instructions for future reference.

Industrias Hergóm, S.A. domiciled in Soto de la Marina (Cantabria) - Spain, offers a Five-year limited Warranty on the firebox (See warranty section for full details in Users Manual).

The warranty in Australia only includes product purchased through the Australian distributor network and installed correctly by a licensed installer.

The warranty comes into force on the purchase date of the product as indicated on the warranty document / purchase receipt and only covers damage or breakages due to manufacturing defects.

OUTSIDE AIR CONNECTION

- When installing the stove using the outside air connection, we recommend that the installation is performed by qualified personnel.
 - Always keep in mind that air is entering the stove through the connector. This air inlet can never be blocked. Ensure that the pipe connecting the stove to the outside cannot be crushed and that the entrance to the pipe cannot be blocked on the outside. It is necessary to cover the inlet with a protective vermin proof grill.
 - The location of the outside air inlet of air must be protected from the wind to avoid possible positive or negative pressure from affecting the combustion of the stove.
 - The diameter of the ducting pipe to supply outside air is 80mm.
-

IMPORTANT NOTE

If the device is not installed correctly, it will not provide the excellent service for which it has been designed. Please, read these instructions in full and ensure the installation is carried out by a certified installer.

The surface of your heater is protected by a coating of special high temperature resistant paint, that requires curing. When lighting the fireplace for the first few times, the paint will normally emit some fumes, we therefore recommend ventilating the room well, until the paint is fully cured.

ONLY USE A SMALL TO MEDIUM FIRE TO CURE THE PAINT – DON'T GET IT TOO HOT ON FIRST BURN.

WARNING: THE APPLIANCE & FLUE SYSTEM SHALL BE INSTALLED IN ACCORDANCE WITH AS/NZS 2918:2018 AND THE APPROPRIATE REQUIREMENTS OF THE *RELEVANT BUILDING CODE OR CODES.*

WARNING: APPLIANCES INSTALLED IN ACCORDANCE WITH THIS STANDARD SHALL COMPLY WITH THE REQUIREMENTS OF AS/NZS 4013:2014 WHERE REQUIRED BY THE REGULATORY AUTHORITY, I.E. THE APPLIANCE SHALL BE IDENTIFIABLE BY A COMPLIANCE PLATE WITH THE MARKING “TESTED TO AS/NZS 4013:2014”.

ANY MODIFICATION OF THE APPLIANCE THAT HAS NOT BEEN APPROVED IN WRITING BY THE TESTING AUTHORITY IS CONSIDERED TO BE IN BREACH OF THE APPROVAL GRANTED FOR COMPLIANCE WITH AS/NZS 4013:2014.

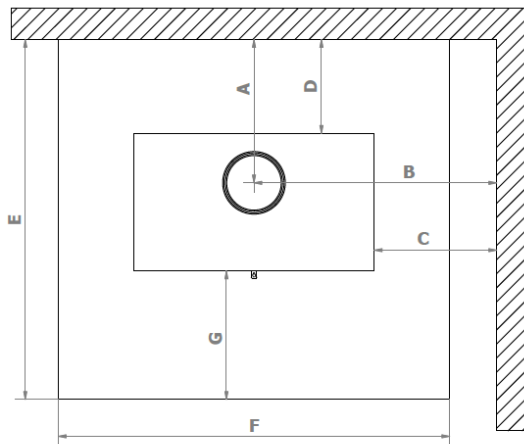
CAUTION: MIXING OF APPLIANCE OR FLUE SYSTEM COMPONENTS FROM DIFFERENT SOURCES OR MODIFYING THE DIMENSIONAL SPECIFICATION OF COMPONENTS MAY RESULT IN HAZARDOUS CONDITIONS. WHERE SUCH ACTION IS CONSIDERED, THE MANUFACTURER SHOULD BE CONSULTED IN THE FIRST INSTANCE.

CAUTION: CRACKED AND BROKEN COMPONENTS, e.g. GLASS PANELS OR CERAMIC TILES, MAY RENDER THE INSTALLATION UNSAFE.

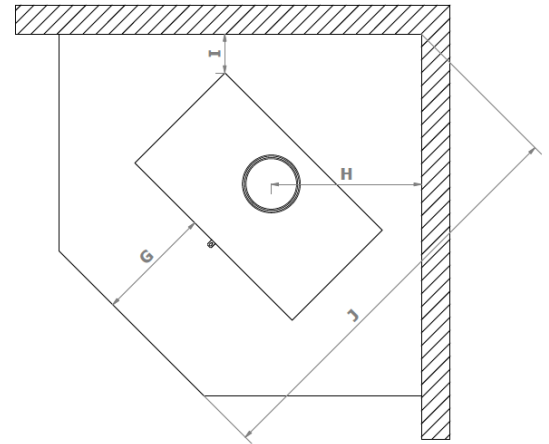
- 1. WARNING: ANY MODIFICATION OF THE APPLIANCE THAT HAS NOT BEEN APPROVED IN WRITING BY THE TESTING AUTHORITY IS CONSIDERED AS BREACHING AS/NZS 4013.**
- 2. WARNING: DO NOT USE FLAMMABLE LIQUIDS OR AEROSOLS TO START OR REKINDLE THE FIRE.**
- 3. WARNING: DO NOT USE FLAMMABLE LIQUIDS OR AEROSOLS IN THE VICINITY OF THIS APPLIANCE WHEN IT IS OPERATING.**
- 4. WARNING: DO NOT STORE FUEL WITHIN THE HEATER INSTALLATION CLEARANCES.**
- 5. WARNING: DO NOT OPERATE THIS APPLIANCE AS AN OPEN FIRE.**
- 6. WARNING: OPEN AIR CONTROL (AND DAMPER WHEN FITTED) BEFORE OPENING FIRING DOOR.**
- 7. CAUTION: THIS APPLIANCE SHOULD NOT BE OPERATED WITH A CRACKED GLASS.**
- 8. CAUTION: THIS APPLIANCE SHOULD BE MAINTAINED AND OPERATED AT ALL TIMES IN ACCORDANCE WITH THESE INSTRUCTIONS.**
- 9. CAUTION: THE USE OF SOME TYPES OF PRESERVATIVE-TREATED WOOD AS A FUEL CAN BE HAZARDOUS.**

The appliance and flue were tested at the following clearances:

Position A – Parallel – with/without Shield



Position B - Corner position.



Model	A	B	C	D	E	F	G	H	I	J
All dims mm										
Hergom Glance M with Rear Heatshield	310	625	350	150	710	815	300	N/A	N/A	N/A
Hergom Glance M Corner without rear Heatshield	N/A	N/A	N/A	N/A	N/A	N/A	300	435	125	1170

Note: The Heatshield is spaced 50mm off the heater.

For the corner installations, the Heatshield was removed – not required.

Hearth requirement:

Appliance with legs was raised 280mm high above the floor protector – wall mount unit must be at the same height.

A minimum hearth of 710mm deep x 815mm wide x 12mm thick floor protector (compressed board) must be used under and in front of the appliance base when installing the appliance. The floor protector should extend 300mm in front of the appliance door and be placed centrally in the 815mm width.

The Thermal resistivity of the floor protector is 0.052m².K/W for 12mm thick compressed board sheets.

The Appliance was installed with a rear heat shield 540 – 570mm high x 520mm wide and fitted 50mm behind the appliance.

NOTE: If the unit is supplied with a Draft reducer for the European market, this must not be used in Australia.

Flue Installation

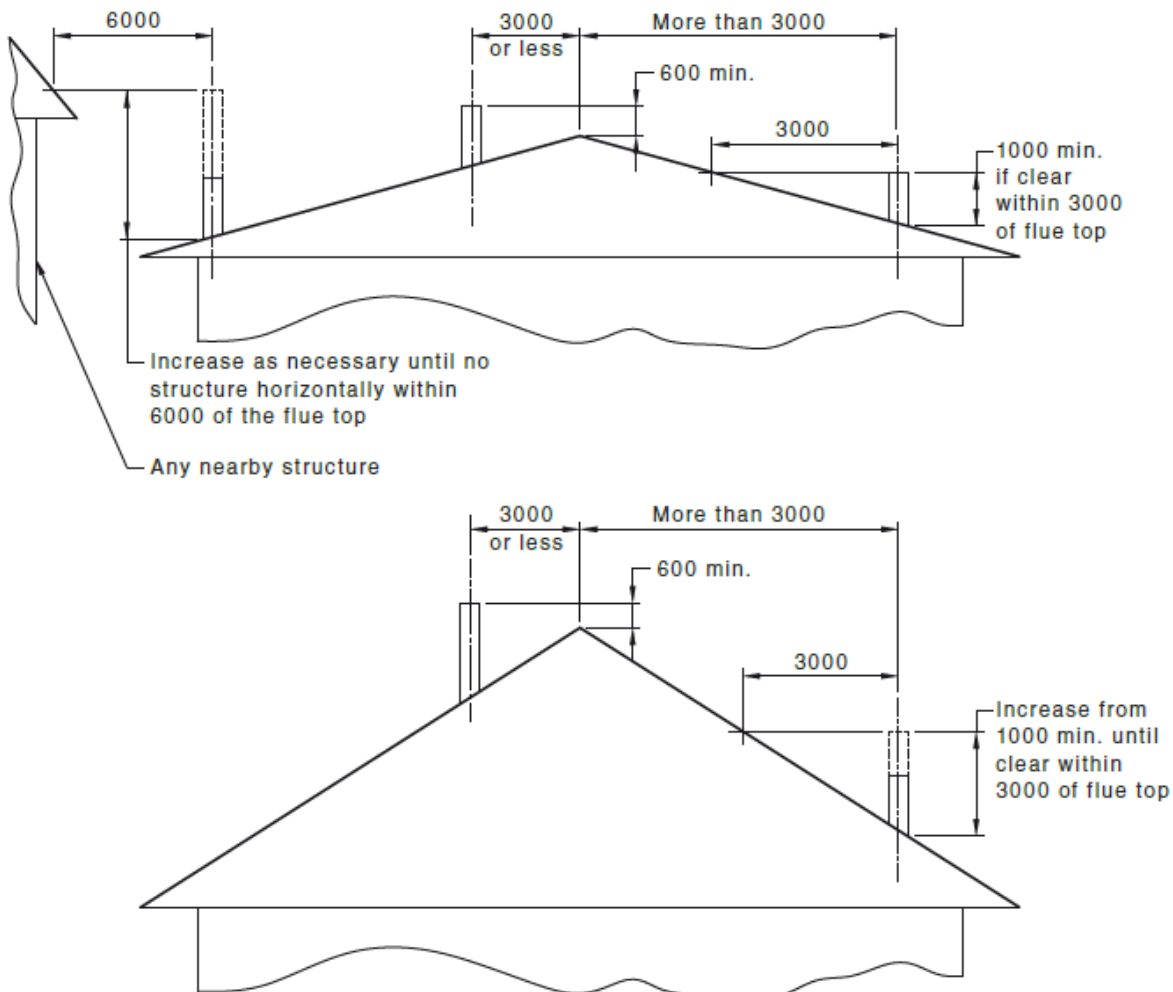
The Flue type required: 152mm (6") active flue and a solid 8" heat shield within the room, and air-cooled Double casing insulation (triple skin) from the ceiling, as per AS2918:2018 default flue kit. See diagrams below for flue requirements. The Active 152mm flue must be a tight fit into the heater collar.

The heater must have its own dedicated flue. The active flue must be 6" for the entire length of the flue, and always less than 45 degrees from the vertical.

Replacement room air from outside equivalent in open area to 91cm² must be supplied into the room.

Flue Outlet Positions

Minimum Flue Height as per AS/NZS 2918:2018

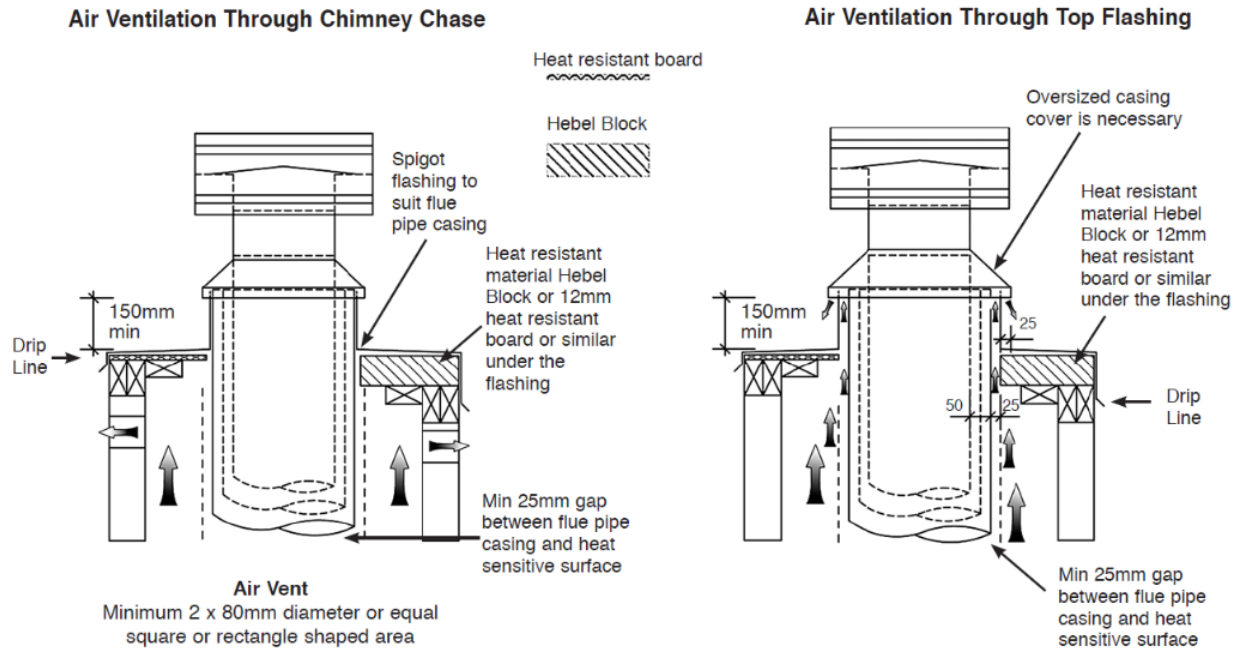


DIMENSIONS IN MILLIMETRES

NOTE: Flue exit MUST also be as high as any nearby structure within a 6m Radius. (AS 2918:2018)

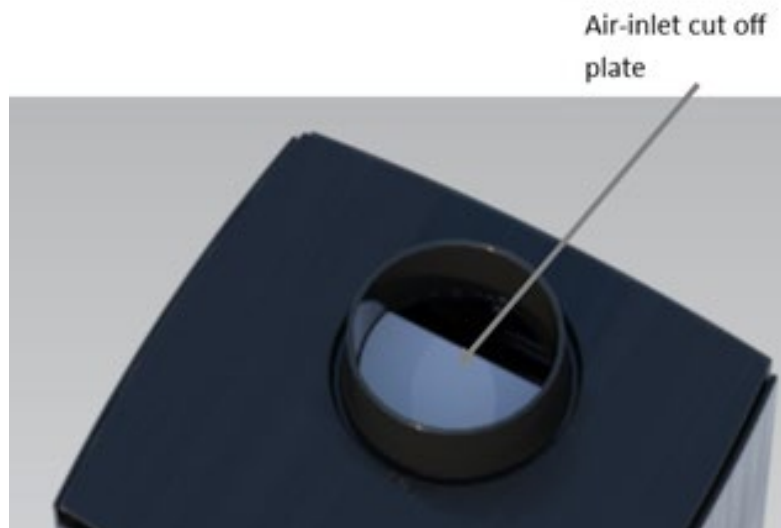
External Requirements

Refer to AS/NZS 2918:2018



Note: All external air vents & ceiling penetrations must be bird & rodent proofed with permanently fixed screens

The Draft reducing plate or "Air-inlet cut off plate" must not be used for Australian installations.



Appliance Data label:

hergom

MODEL – GLANCE M

SERIAL NO:

TESTED BY
AUSTRALIA SOLID FUEL
TESTING
3 GARDEN STREET MORWELL
VIC 3840 AUSTRALIA

TEST REPORT NO
ASFT24121
DATED: 24/12/2024

WHEN TESTED IN ACCORDANCE WITH
AS/NZS4012:2014 & AS/NZS4013:2014

MAXIMUM AVERAGE HEAT OUTPUT
BURNING HARDWOOD 5.4kW
OVERALL AVERAGE EFFICIENCY BURNING HARDWOOD
67%
PARTICULATE EMISSIONS FACTOR
0.8g/kg

IMPORTED BY:
CASTWORKS
12a FIVEWAYS BLVD
KEYSBOROUGH VIC
3173, AUSTRALIA.

MANUFACTURED BY:
INDUSTRIAS HERGOM
S.L. C/ BORRANCHO
S/N
39110 SOTO DE LA

hergom