

 **adf**
MADE IN PORTUGAL





Clare 100S B Freestanding

Bold and modern, the ADF Clare 100S B combines sleek design with powerful performance. Crafted in Portugal, this freestanding wood fire delivers efficient, clean-burning heat and a wide view of the flames. With its smooth steel finish and minimalist form, it's a striking addition to contemporary living spaces.

Optional bench or pedestal to suit your style.

Heat Capacity	150 - 200 m ²
Maximum Efficiency	74%
Emissions	0.6 g/kg
Flue Dimension	Ø180mm
Material	5mm steel welded firebox, with a high-density thermal lining

Key Features

- ✓ Advanced combustion technology and firebox design for clean burning
- ✓ Automatic Flue Damper reduces smoke ingress into the room
- ✓ Robust Construction - carbon steel and stainless steel
- ✓ Styling options - black steel plateau bench or pedestal

Clare 80S Q Freestanding

With widescreen views and clean, efficient performance, the Clare 80S Q brings both warmth and wow factor to your home. Designed for optimum combustion and ease of use, this freestanding fire blends striking modern design with reliable functionality - creating a captivating focal point for any living space.

Heat Capacity	up to 200 m ²
Maximum Efficiency	68%
Emissions	0.7 g/kg
Flue Dimension	Ø203mm
Material	5mm steel welded firebox, with a high-density thermal lining

Key Features

- ✓ 15.0kW heat output for powerful, consistent warmth
- ✓ Concealed door handle ensures a clean, seamless look
- ✓ Optional fully sealed outside air kit enhances efficiency and performance
- ✓ Styling options - pedestal or black steel plateau bench (pictured)



Clare 80S P Freestanding

With its elegant pedestal base and widescreen glass door, the Clare 80S P delivers a bold design statement alongside efficient performance. Providing up to 11.2kW of heat with 73% efficiency, this contemporary wood fire is both a striking focal point and a reliable source of warmth for modern living spaces.

Heat Capacity	150 - 180 m ²
Maximum Efficiency	73%
Emissions	0.7 g/kg
Flue Dimension	Ø180mm
Material	5mm steel welded firebox, with a high-density thermal lining

Key Features

- ✓ 10 year firebox warranty
- ✓ Concealed door handle
- ✓ Anti-condensation system
- ✓ Hidden tangential fan (optional) maximises efficiency and heat distribution
- ✓ Styling options - black steel plateau bench, log stand or pedestal (pictured)

Clare 80S B Freestanding

A perfect balance of style, efficiency, and performance, the Clare 80S B offers clean-burning heat with a sleek, practical design. With impressive fuel efficiency that meets the latest Australian standards, it's an eco-conscious choice for modern living - bringing both comfort and refined European styling to your home.

Heat Capacity	150 - 180 m ²
Maximum Efficiency	73%
Emissions	0.7 g/kg
Flue Dimension	Ø180mm
Material	5mm steel welded firebox, with a high-density thermal lining

Key Features

- ✓ High density thermal vermiculite liners insulate the chamber, and adds additional heat reflection
- ✓ State-of-the-art combustion technology for a cleaner burn with less emissions
- ✓ Concealed door opening
- ✓ Styling options - black steel plateau bench, pedestal or log stand (pictured)

Clare 60Vt B



Clare 60Vt B Freestanding

With its striking vertical format and expansive glass door, the Clare 60Vt B makes a bold design statement while maximising your view of the flames. It combines sleek, modern styling with efficient, clean-burning performance.

Choose from a range of optional bases to customise the look and complement your living space.

Heat Capacity	150 - 180 m ²
Maximum Efficiency	75%
Emissions	0.8 g/kg
Flue Dimension	Ø152mm
Material	5mm steel welded firebox, with a high-density thermal lining

Key Features

- ✓ Vertical design with large glass window
- ✓ Automatic Flue Damper reduces smoke ingress into the room
- ✓ Single Combustion Control
- ✓ High density vermiculite lining and ash drawer
- ✓ Styling options - black steel plateau bench (pictured) or log stand

Clare 100S Insert



Clare 100S Insert

Blending exceptional craftsmanship with advanced heating technology, the Clare 100S Insert offers powerful, clean-burning performance that meets the strictest environmental standards. With its widescreen flame view and refined design, it brings lasting warmth, comfort, and a sense of indulgence to any space.

Heat Capacity	150 - 200 m ²
Maximum Efficiency	74%
Emissions	0.6 g/kg
Flue Dimension	Ø180mm
Material	5mm steel welded firebox, with a high-density thermal lining

Key Features

- ✓ The convection system and tangential fan (optional) ensures an even, quiet heat distribution
- ✓ State-of-the-art combustion technology for a cleaner burn with less emissions
- ✓ Levelling screws ensures a safe and stable installation
- ✓ Zero Clearance Box (optional) or Masonry installation

Clare 80S Insert



Clare 80S Insert

Experience efficient, sustainable heating with the Clare 80S Insert. Its striking flame display transforms from a roaring blaze to a gentle glow, adapting to your mood and comfort. With sleek design and precise engineering, this high-performance fireplace delivers both ambience and functionality in one beautifully integrated package.

Heat Capacity	150 - 180 m ²
Maximum Efficiency	73%
Emissions	0.7 g/kg
Flue Dimension	Ø180mm
Material	5mm steel welded firebox, with a high-density thermal lining

Key Features

- ✓ Black screen-printed glass conceals the frame for a sleek, seamless look
- ✓ Smart air control with single-slider operation for easy, efficient combustion
- ✓ Vermiculite firebox lining for improved efficiency
- ✓ Zero Clearance Box (optional) or Masonry installation

Clare 60Vt Insert



Clare 60Vt Insert

With its fusion of cutting-edge technology and contemporary design, the Clare 60Vt offers powerful, efficient heating in a sleek freestanding form. Features like an automatic flue damper and convenient ash drawer enhance everyday usability, while its clean lines and widescreen flame view make it a standout feature in any living space.

Heat Capacity	150 - 180 m ²
Maximum Efficiency	75%
Emissions	0.8 g/kg
Flue Dimension	Ø152mm
Material	5mm steel welded firebox, with a high-density thermal lining

Key Features

- ✓ Independently tested to exceed Australian Standards, with ultra low emissions
- ✓ Outside, bottom, or rear air intake (direct combustion system)
- ✓ Dynamic air control system for an efficient, clean burn
- ✓ A carbon-neutral and sustainable heat source

Dimensions, Specifications and Clearances

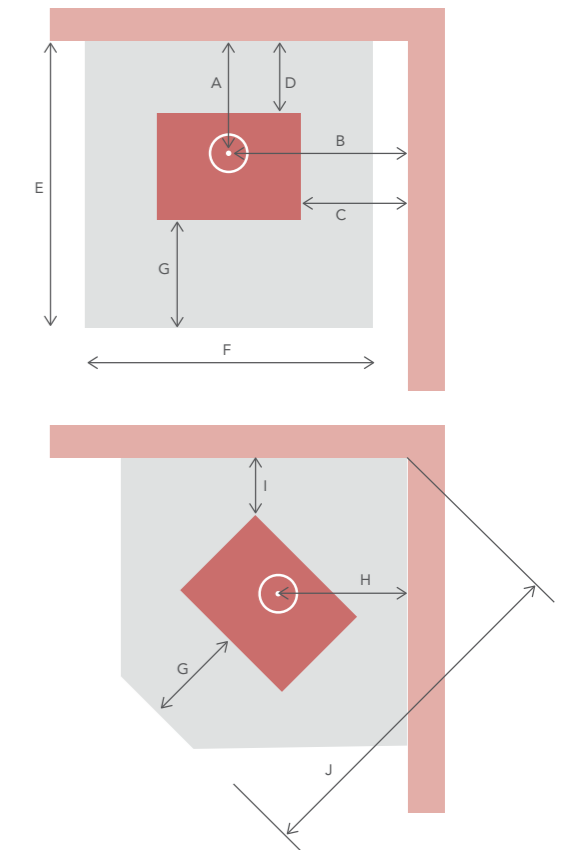
Model	Width	Depth	Height	Weight	Install Options	Flue Configuration	A	B	C	D	E	F	G	H	I	J	Hearth Specification
Clare 60S Vt Freestanding	575	440	692	153kg	No shielding	6" Flue with 8" Solid Casing	385	615	325	225	950	810	300	390	75	1135	6mm Cement Sheet
Clare 60S Vt Freestanding	575	440	692	153kg	With firebox heat shield	6" Flue with 8" Solid Casing	310	615	325	150	875	810	300	390	75	1135	6mm Cement Sheet
Clare 80S B Freestanding	770	440	540	160kg	No shielding	7" Flue with 9" Solid Casing	410	835	450	250	1260	1005	300-570	460	75	1500	6mm Cement Sheet
Clare 80S B Freestanding	770	440	540	160kg	With firebox heat shield	7" Flue with 9" Solid Casing	285	835	450	125	1135	1005	300-570	460	75	1500	6mm Cement Sheet
Clare 80S Q Freestanding	770	455	692	190kilos	No shielding	8" Flue	390	860	475	225	740	1005	300	465	75	1245	6mm Compressed Board
Clare 80S Q Freestanding	770	455	692	190kilos	With firebox heat shield	8" Flue with 180° Flue Shield x 900mm Tall	290	860	475	125	640	1005	300	465	75	1245	6mm Compressed Board
Clare 100S B Freestanding	970	440	540	190kg	No shielding	7" Flue with 9" Solid Casing	360	935	450	200	1225	1205	300-600	555	100	1667	12mm Cement Sheet
Clare 100S B Freestanding	970	440	540	190kg	With firebox heat shield	7" Flue with 9" Solid Casing	290	935	450	130	1155	1205	300-600	555	100	1667	12mm Cement Sheet
Clare 60Vt Insert	595	435	695	137kg	See Install Manual	6" Active/8" & 10" Outer Casing	See Install Manual for options					815	300	-	-	-	6mm Cement Sheet
Clare 80S Insert	790	435	545	140kg	See Install Manual	7" Active/9" & 11" Outer Casing						1005	300	-	-	-	6mm Cement Sheet
Clare 100S Insert	990	435	540	168kg	See Install Manual	7" Active/9" & 11" Outer Casing						1205	300	-	-	-	6mm Cement Sheet

(depending on height refer to manual)

Hearth Dimensions

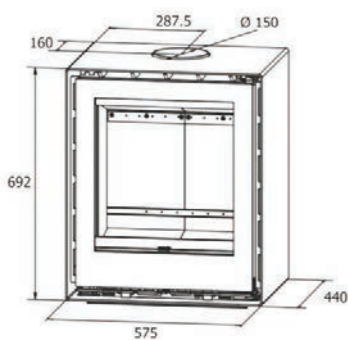
All measurements are to the combustible material and a guide only.

For full instructions and specification of the inbuilt models please consult installation manual.

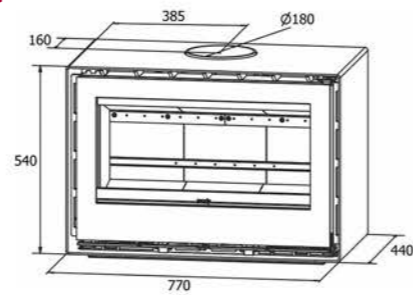


Figures in this brochure are a guide only and are subject to change. Please refer to the installation manual for more detailed information.

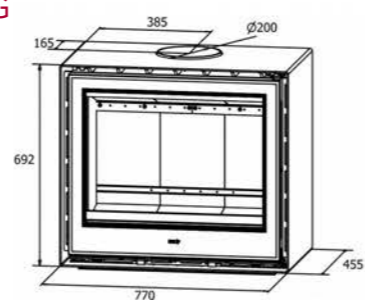
CLARE 60S VT FREESTANDING



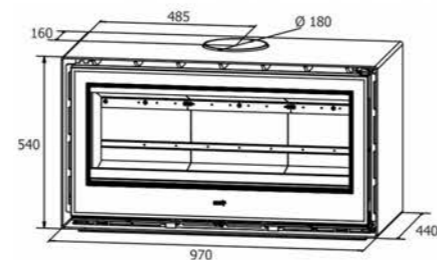
CLARE 80S B FREESTANDING



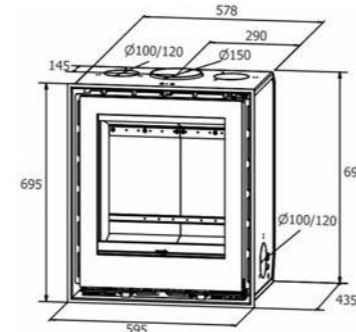
CLARE 80S Q FREESTANDING



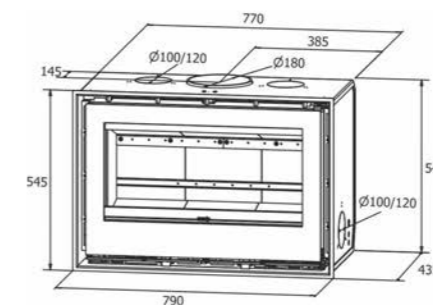
CLARE 100S FREESTANDING



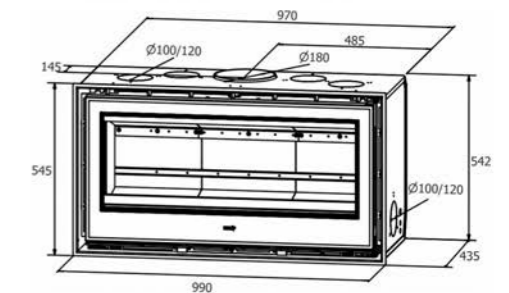
CLARE 60VT INSERT



CLARE 80S INSERT



CLARE 100S INSERT



Optional hidden tangential fan available in all models.

Tested and compliant to Australian Standard AS/NZS 4012/4013 and 2918

Explore the full ADF Range

Founded in Portugal in 1976, ADF is a family-owned company renowned for producing robust, high-quality, and affordable wood-burning fireplaces. Built for lasting performance and effortless comfort, every ADF fire is engineered with precision and backed by a 5 year warranty on most components and a 10 year warranty on the firebox.

All models are tested to comply with AS2918 and AS4012/4013 standards.

Love the Clare series?

Discover more of the ADF collection - from the sleek, architectural lines of the Linea to the mid-century charm of the Hayra.

Scan the QR code to view the full range.



Your ADF dealer

castworks
home heating specialists

DISTRIBUTORS
FOR

adf

MADE IN PORTUGAL

The information contained in this brochure is to assist you in your choice of a suitable fire. It is not intended to be all the information required to install the fire and does not replace the installation manual which provides more detailed information. In the interest of product development ADF reserves the right to change specifications without prior notice.

castworks.com.au