



# Owner's Manual

## NMV / NMR Freestanding Appliances

Supplied by:  
Castworks Pty Ltd  
57 Industrial Drive  
Braeside VIC 3195



TESTED IN ACCORDANCE WITH AS/NZS 4012:2014 & AS/NZS 4013:2014

---

Please read this manual thoroughly before installing and starting your free-standing appliance.

Keep these instructions for future reference

V18062018

---



## Index

1. Introduction	03
2. Appliance Layout	05
3. Technical Specifications	06
4. Installation Instructions	09
Heat shielding	09
Flue Outlet	12
5. Fan	14
6. Instructions for use	16
7. Maintenance and cleaning	17
8. Troubleshooting	20
9. Warranty	21

CE Marking label with serial number

## 1. Introduction

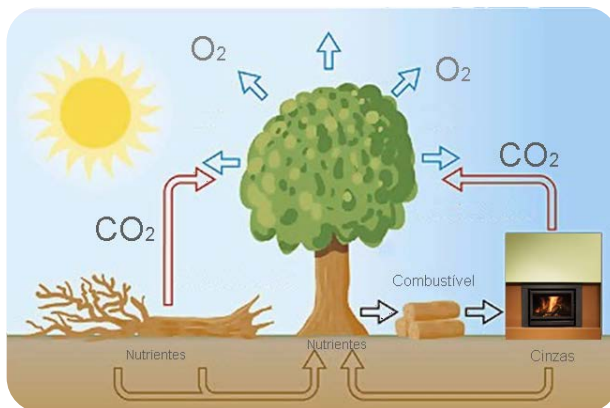
Congratulations on your purchase of your new ADF woodfire appliance!

Years of extensive research and dedication to innovation and quality, since 1976, has resulted in these beautifully designed European appliances, constructed to strict Portuguese and European legislation, and tested and Certified to the Australian Emissions, Efficiency and Safety standard requirements guaranteeing excellent performance.

Please read this manual fully to ensure safe and efficient use of your heater and to comply with the warranty guidelines.

### Solid Fuel – Ecological Energy

Through photosynthesis, plants capture energy from the sun and transform it into chemical energy. The trapped energy, eg in the form of wood, pellets, coal are called biomass fuels and can be converted into various forms: electricity, fuel or heat. Biomass burning causes the release of carbon dioxide into the atmosphere, but since this compound had previously been absorbed by the plants that originated the fuel, the CO<sub>2</sub> emissions balance is zero, not contributing to the greenhouse effect on the planet. Firewood is the most environmentally friendly way of producing heat in your home, as it is a fully renewable resource. The amount of CO<sub>2</sub> that is released during the combustion of firewood is not higher than the amount that would be released from its natural decomposition. Wood ash is a mineral fertilizer easily absorbed by the environment in a totally ecological way.



## Firewood – Use

### Choosing your wood

All wood types have a different calorific value. You should choose only well-seasoned hard woods. Do not use logs that are too large. Split round logs so they cannot roll and cause a hazard.

### Drying your wood

Whichever firewood is chosen, it must be very dry and seasoned. Unseasoned or green firewood does not heat as much, because a large part of the energy is consumed in the evaporation of the water and creosote contained in the wood, which is highly corrosive and will damage the appliance and consequently it could void your Warranty. In addition, moist firewood produces a large amount of smoke and little flame, which will foul the appliance, the glass and the chimney. When raining the stored wood should be covered and well ventilated. Generally, green wood should be left to “season” for two years.

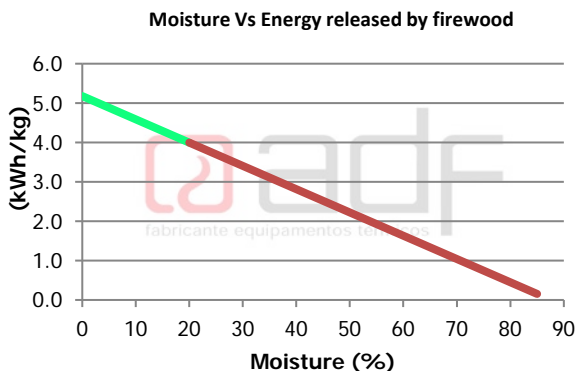
### Wood to Avoid

Softwoods and low-density wood: This kind of firewood release a lot of heat but burn too quickly and projects embers and resin that foul the chimney and the interior of your woodstove. These should be used as Kindling only, for starting your fire.

### Do not use:

Wood with varnish, exotic wood, treated/painted timber, agglomerates that can produce toxic fumes which will damage the appliance. Do not use drift wood or coastal wood with high salt content, it will quickly damage the heater.

All ADF appliances are designed to burn firewood and firewood only, with less than 20% moisture content. The use of unseasoned firewood or firewood with moisture or other types of fuel not recommended will void the warranty. See below, the drier the wood the better heat you get out of it.



## 2-Appliance Layout



Pos.	Designation
1	Door lever, Tool supplied for Door and Air Control
2	Combustion Air control (Use tool): Open (+) slide to the right Close (-) slide to the left
3	Vermiculite brick lining
4	Primary convection outlet
5	Secondary convection outlet (hot air distribution for ducting) Inbuilt only
6	Smoke Outlet – Flue collar 200mm (8" Crimped)
7	Convection inlet

### Important:

- The compartment below the combustion chamber should not be used to store combustible materials.
- Please read this manual thoroughly before installing and starting your free-standing appliance.
- Installation must be carried out by a licenced and certified installer.
- Keep these instructions for future reference

### 3- Technical Specification

<b>Specifications</b>	Unit	820	1000
TESTED IN ACCORDANCE WITH AS/NZS 4012:2014 & AS/NZS 4013:2014			
Burning Harwood			
Maximum Average Heat Output	kW	9.7	12.5
Overall Average Efficiency	%	63	64
Particulate Emission Factor	g/kg	0.8	1.2
Maximum firewood load	kg	9.7	13.7
Minimum clearance distances from combustibile materials	mm	See page 10.	See Page 9.
Flue Diameter	mm	200	200
Recommended Fuel	Burn only Harwood Moisture $\leq$ 20%		
Electrical Specification	W	36	
	V	220-240	
	Hz	50/60	
Fan Settings	Thermostat Low, Manual High.		

<b>Model</b>	Width	Depth	Height	Weight
Dimensions (mm)				
ADF820NM-RS Freestanding with Bench	832	445	860	198
ADF820NM-RS Freestanding with Bench and Fan	832	445	860	200
ADF820NMV-B Freestanding with Fan	832	450	565	160
ADF1000NMV-B Freestanding	1012	450	465	172
ADF1000NMV-B Freestanding with Fan	1012	450	565	174
ADF1000NMV-P Pedestal Freestanding	1012	450	865	206

 **WARNINGS:**

A wood burning heater is, by its nature, an appliance that operates at high temperatures, so it is necessary to take into account potential risk factors that should be avoided at all costs. Children must be kept away from any combustion appliance and supervised in the room at all times.

Installation must be carried out by a licenced and certified installer.

The installation must meet the requirements of the manufacturers instructions, AS2918 and the Building Code of Australia.

The appliance must be installed in such a way as to allow easy maintenance. Incorrect installation may cause serious damage to the equipment and the safety of people and property.

Before installing your appliance, please ensure the following:

- The appliance must be installed on a heat resistant surface to 600°C.
- The floor must be structurally sound, to support the installation weight.
- The compartment below the heater should not be used to store combustible materials (NM-RS models).
- Replacement outside air must be supplied to the room with the heater, a minimum equivalent to half the cross-sectional area of the flue, ie 160cm<sup>2</sup> free air.
- Follow the clearances to combustible materials as shown on page 9. and 10.
- Your appliance must be non-permanently installed and easily accessible to ensure general maintenance (chimney and equipment).
- The equipment must not be cemented in its enclosure under any circumstances.

**Keep these instructions for future reference**

 **WARNINGS:**

- REFER TO COMPLIANCE LABEL – DISREGARD ANY CONTRADICTIONARY FUEL TYPE INFORMATION IN INSTRUCTION MANUAL
- **WARNING: THE APPLIANCE & FLUE SYSTEM SHALL BE INSTALLED IN ACCORDANCE WITH AS/NZS 2918:2001 AND THE APPROPRIATE REQUIREMENTS OF THE RELEVANT BUILDING CODE OR CODES.**
- **WARNING: APPLIANCES INSTALLED IN ACCORDANCE WITH THIS STANDARD SHALL COMPLY WITH THE REQUIREMENTS OF AS/NZS 4013:2014 WHERE REQUIRED BY THE REGULATORY AUTHORITY, I.E. THE APPLIANCE SHALL BE IDENTIFIABLE BY A COMPLIANCE PLATE WITH THE MARKING “TESTED TO AS/NZS 4013:2014”.**
- **ANY MODIFICATION OF THE APPLIANCE THAT HAS NOT BEEN APPROVED IN WRITING BY THE TESTING AUTHORITY IS CONSIDERED TO BE IN BREACH OF THE APPROVAL GRANTED FOR COMPLIANCE WITH AS/NZS 4013:2014.**

**WARNINGS:**

- CAUTION: MIXING OF APPLIANCE OR FLUE SYSTEM COMPONENTS FROM DIFFERENT SOURCES OR MODIFYING THE DIMENSIONAL SPECIFICATION OF COMPONENTS MAY RESULT IN HAZARDOUS CONDITIONS. WHERE SUCH ACTION IS CONSIDERED, THE MANUFACTURER SHOULD BE CONSULTED IN THE FIRST INSTANCE.
- CAUTION: CRACKED AND BROKEN COMPONENTS, e.g. GLASS PANELS OR CERAMIC TILES, MAY RENDER THE INSTALLATION UNSAFE.
- **WARNING: ANY MODIFICATION OF THE APPLIANCE THAT HAS NOT BEEN APPROVED IN WRITING BY THE TESTING AUTHORITY IS CONSIDERED AS BREACHING AS/NZS 4013.**
- **WARNING: DO NOT USE FLAMMABLE LIQUIDS OR AEROSOLS TO START OR REKINDLE THE FIRE.**
- **WARNING: DO NOT USE FLAMMABLE LIQUIDS OR AEROSOLS IN THE VICINITY OF THIS APPLIANCE WHEN IT IS OPERATING.**
- **WARNING: DO NOT STORE FUEL WITHIN THE HEATER INSTALLATION CLEARANCES.**
- **WARNING: WHEN OPERATING THIS APPLIANCE AS AN OPEN FIRE USE A FIRE SCREEN.**
- **WARNING: OPEN AIR CONTROL (AND DAMPER WHEN FITTED) BEFORE OPENING FIRING DOOR.**
- CAUTION: THIS APPLIANCE SHOULD NOT BE OPERATED WITH A CRACKED GLASS.
- THIS APPLIANCE SHOULD BE MAINTAINED AND OPERATED AT ALL TIMES IN ACCORDANCE WITH THESE INSTRUCTIONS.
- THE USE OF SOME TYPES OF PRESERVATIVE-TREATED WOOD AS A FUEL CAN BE HAZARDOUS.
- THE APPLIANCE OR FLUE SYSTEM SHOULD NOT BE MODIFIED IN ANY WAY WITHOUT THE WRITTEN APPROVAL OF THE MANUFACTURER.
- BURN ONLY HARDWOOD
- Prior to installation check with your state and local authorities regarding any specific regulations that may apply.



## 4-Installation

Keep these instructions for future reference

All local regulations, including those referring to national standards, must be observed when installing the appliance.



The floor must be structurally sound.

**The Hearth must have a heat resistant surface to 600°C, with an insulating thickness of non-combustible material equivalent to 24mm of cement sheet with thermal conductivity of 0.1m<sup>2</sup>.K/W per 9mm. eg 24mm Bellis Board or equivalent.**

Replacement room air from outside equivalent to 160cm<sup>2</sup> must be supplied into the room.

**The heater must have its own dedicated flue. The active flue must be 8" for the entire length of the flue, and always less than 45 degrees from the vertical.**

**The Flue terminal must meet the minimum height and external clearances for the flue, according to AS/NZ 2918:2001, see the diagram shown below on page 12.**

## Heat shielding

For reduced clearances options, heat shielding can be added as per specifications on pages 12 – 13 above:

**Appliance mounted shielding:** accessories available for shield to heater body and flue shielding. Use the heat shield accessory as a template, mark and punch each holes on the back of the heater. Use a pilot hole drill to cut each hole, then fix the shield using the self-tapping machine screws. The flue mounted shield can be fitted to the first 900mm of flue as per shield manufacturer's instructions.

**Wall mounted shielding:** Skamotec 225 can be fixed to a combustible wall directly, to the dimensions width and height listed. To fix Skamol glue and self tapping wood screws into timber studs, do no use metal screws behind the heater.

NMV - 1000 Model

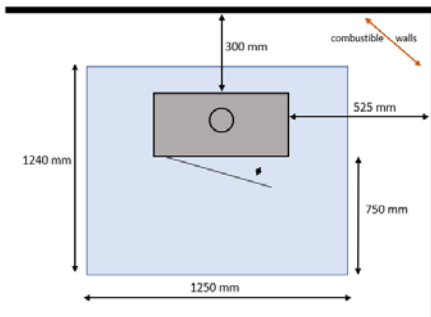
The ADF NMV 1000 was tested with a Hawkwind 8” triple skin flue kit in three positions in a manner confirming to joint Australia/New Zealand Standard 2918:2001.

The base of the unit is raised 250mm from the floor protector for the following clearances to apply. AS2918 default clearances apply for installations directly on the floor.

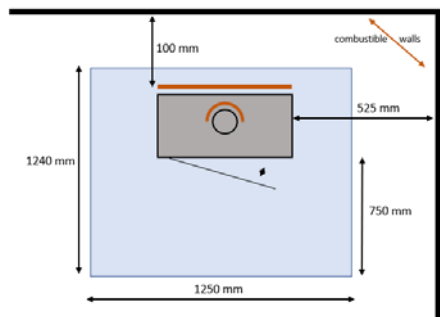
A minimum 1240mm deep x 1250mm wide x 24mm thick floor protector (Bellis Board or similar cement sheet) should be used under and in front of the appliance base when installing the appliance (see joint AS/NZS 2918:2001 3.3.2). The floor protector must extend 750mm in front of the appliance fuel loading door and be placed centrally in the 1250mm width. The Thermal conductivity of the floor protector is 0.1m<sup>2</sup>.K/W for 9mm thick sheets.

The appliance and flue were tested at the following clearances:

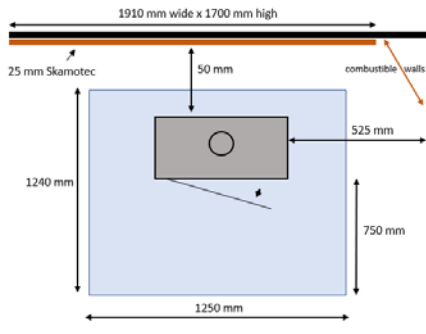
Position A – Parallel – No Shielding



Position A- Parallel position – with a 180°x 900mm S/S rear flue heat shield + 420mm x 820mm 1.5mm steel rear appliance heat shield



Position A – Parallel position with 25mm thick Skamotec Rear wall shield



NMR/NMV - 820 Model

The ADF NM/NMV 820 was tested with a Hawkwind 8” triple skin flue kit in three positions in a manner confirming to joint Australia/New Zealand Standard 2918:2001.

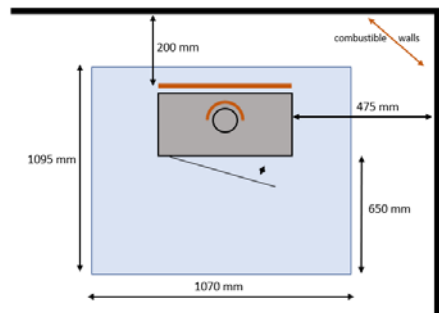
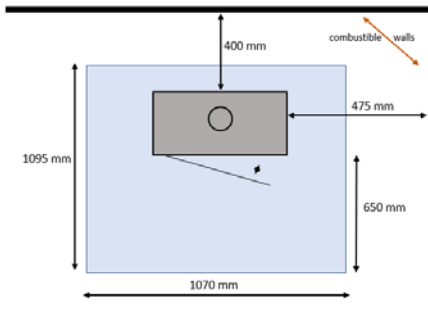
The base of the unit is raised 400mm from the floor protector for the following clearances to apply. AS2918 default clearances apply for installations directly on the floor.

A Minimum 1095mm deep x 1070mm wide x 18mm thick floor protector (Bellis Board or similar) should be used under and in front of the appliance base when installing the appliance (see joint AS/NZS 2918:2001 3.3.2). The floor protector should extend 650mm in front of the appliance fuel loading door and be placed centrally in the 1070 width. The Thermal conductivity of the floor protector is 0.1m<sup>2</sup>.K/W for 9mm thick sheets.

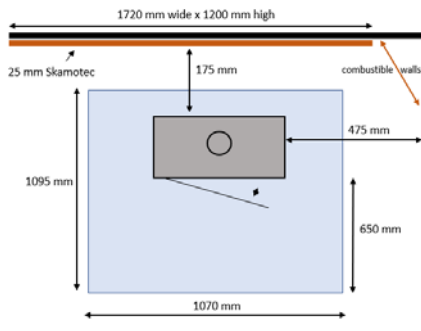
The appliance and flue were tested at the following clearances:

Position A – Parallel – No Shielding

Position A- Parallel position – with a 180°x 900mm S/S rear flue heat shield + 420mm x 820mm 1.5mm steel rear appliance heat shield

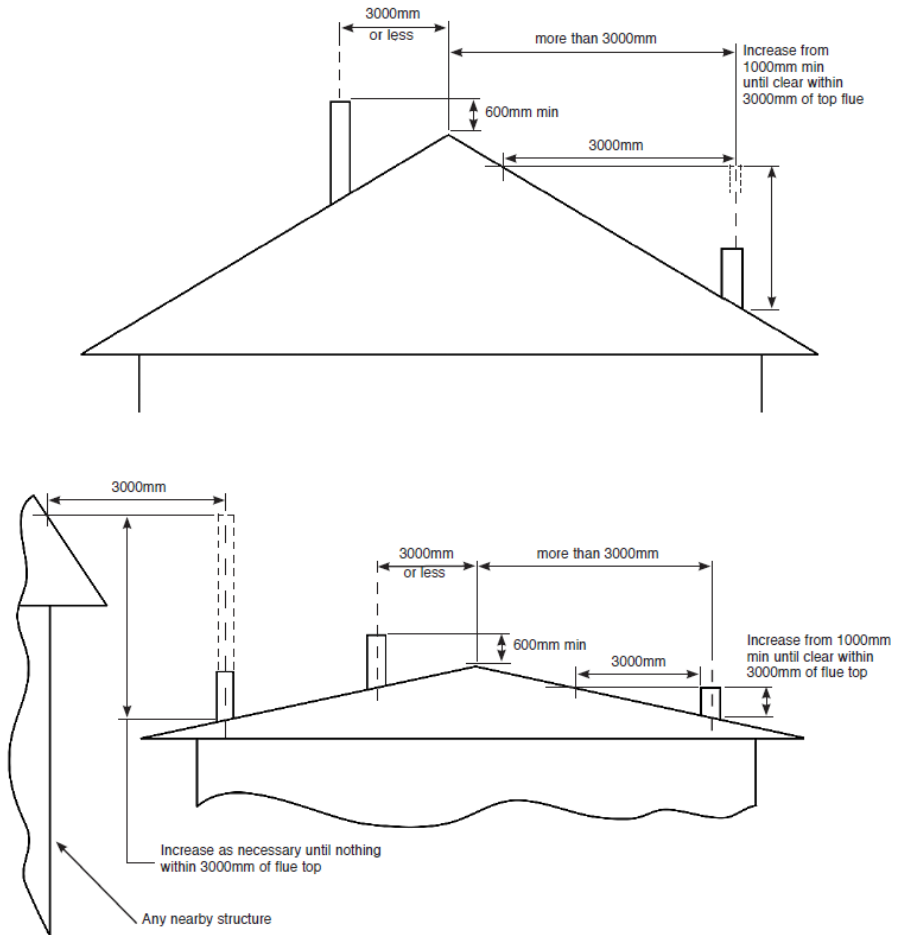


Position A – Parallel position with 25mm thick Skamotec Rear wall shield



# Flue Outlet Positions

## Minimum Flue Height as per AS/NZS 2918:2001

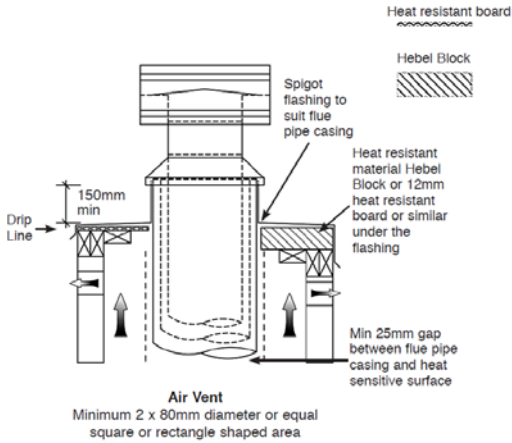


**NOTE: Flue exit MUST be also be as high as anything within a 6m Radius. ( AS 2918:2018 )**

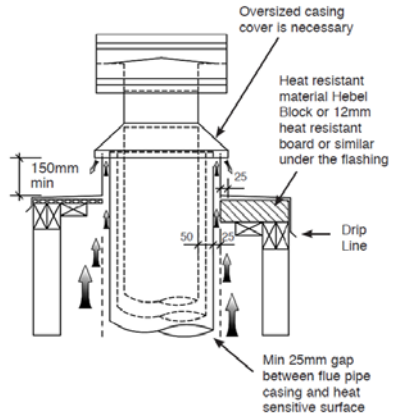
# External Requirements

Refer to AS/NZS 2918:2001;4.9.1

## Air Ventilation Through Chimney Chase



## Air Ventilation Through Top Flashing



**Note:** All external air vents & ceiling penetrations must be bird & rodent proofed with permanently fixed screens

## 5- Fan (for fan models only).

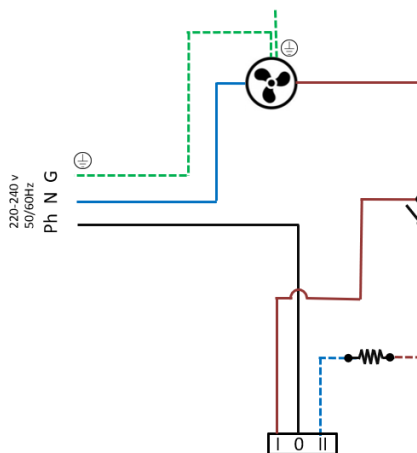
- Must be installed in accordance with AS/NZS 3000.
- Must be installed to the manufacturers specifications.
- Power supply must be installed by a licensed electrician.
- If the power cable is damaged, for any reason, do not use. Have the cord replaced immediately.

If freestanding unit is sitting on a bench with fan cut out, there should be a cut out on the front underside of the bench to pass the cable through to connect to switch, and press lock switch into the bench cut out.

### Electric circuit layout:

Fan operation modes:

- I- Low speed  
Thermostat setting (>50C), (Automatic on/off)  
0-OFF
- II-Manual setting, High speed








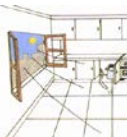



### Warnings

**Danger of Electrocution:** All electrical work must be carried out by a qualified electrician.

**Note:** All electrical components should be installed in an airy location away from hot parts

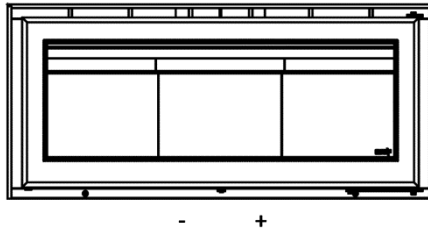
## Important Recommendations

	<p>The heater must be installed by a qualified and accredited professional.</p>
	<p>Caution: the outside surfaces of the equipment are hot; wear suitable protective gloves whenever you need to touch hot parts of the appliance and when loading firewood into the heater.</p>
	<p>Do not use the appliance as your incinerator. The combustion of domestic waste can cause the release of toxic fumes and cause early corrosion of the components of your equipment and void your warranty.</p>
	<p>This appliance is not a toy! Keep children away at all times.</p>
	<p>Check that the exhaust system is well dimensioned, ensuring proper drainage and that it complies with the Australian standards in force, so that there is no undue smoke escape into the surrounding space.</p>
	<p>Keep combustible and flammable materials at a safe distance from the appliance (minimum 1.5 meters).</p>
	<p><b>NEVER</b> use liquid fuel .</p>
	<p>During the first use, curing of the paint occurs – which may give off some odours. Avoid inhalation and keep the area well ventilated. The first 2 firings should be made with a small kindling fires with a minimal amount of wood, in order to favour the dissipate of the metal tension and let the paint cure slowly, so it does not present imperfections later on.</p>
	<p>In case of adverse atmospheric conditions that disturb the drawing of smoke, it is advisable not to use the appliance.</p>

## 6- Instructions for Use

### Combustion Control:

Open (+), slide to the right  
 Close (-), slide to the left



### Ignition

1. It is extremely important, when first using or lighting for the first time for the season, to thoroughly examine the chimney and to make sure it is clean and unobstructed. Ensure the Chimney is swept regularly; If necessary contact your local chimney sweep.
2. Do not overload the appliance, the appliance is designed to display a beautiful flame pattern.
3. Completely open the combustion air control, pushing it to the right. On the base of the fire use a small amount of easily flammable material such as scrunched up paper, firelighters, pine cones. Then lay fine kindling around and on this base in such a way that they are interlocking and self-supported, thus allowing air to flow around them and without the pile collapsing and suffocating.
4. Once the kindling is well alight, add some small split logs to the kindling stack, resting against each other or the back wall so the kindling doesn't collapse. Use about 1kg of split dry small logs of dry wood.
5. Keep the door slightly open, allowing the amount of air needed for a quick and efficient ignition, keeping the combustion air control fully open. Never leave the fire unattended whilst the door is left ajar.
6. After 5 minutes close the door and reduce the combustion air control to reduce the combustion air intake
7. There should be a good amount of coals



## After Firing

1. Slowly open the door, spread the embers evenly across the furnace base.
2. Place the wood logs (approximately 1 - 2kg each) horizontally left to right, keeping the log away from the door glass. Do not overload the appliance – check your model in the specifications table for the maximum permissible load.
3. Choose a position in the combustion air control to produce a gentle, long-lasting burn, avoid uncontrolled burning with the air control left open.
4. Keep the ash bed away from the primary air slots at the front of the fire.

### Notes:

Only reload with wood when the previous load has been fully consumed, do not overload the combustion chamber.

For well insulated houses or forced air ventilation in adjacent spaces, it is advisable to place a ventilation grid on an outside wall near the equipment of at least 100 cm<sup>2</sup> and always be unobstructed. In this way, you supply the surrounding space with a good source of oxygen so that it does not run out, and the air masses move in the right direction. As for the air inlet grills, it must be taken into account that they must be positioned in such a way that their obstruction is not easy. In the case of simultaneous operation with other heating appliances, sufficient oxygen must be ensured.



### Warnings:

*This appliance was not designed to work with the door open. Open the door for lighting and reloading only. Do not open the heater door suddenly or with the smoke control fully or partially closed, as the combustion chamber may overpressure, causing smoke or even flame out into the room.*

*Excessive combustion does not necessarily translate into more heating power nor into an increase of efficiency. Furnacing may also cause irreparable damage to the appliance if carried out for long periods of time.*

*In the event of malfunction, immediately extinguish combustion by closing the fuel inlet control and the smoke control, causing the fire to extinguish by itself due to lack of oxygen. Expose the problem to our services and / or agents to be resolved.*

## 7-Cleaning and Maintenance

To get the best out of your appliance, it should be regularly maintained and the flue regularly swept.



**Cleaning and maintenance should always be carried out when the appliance is cold.**

### Cleaning

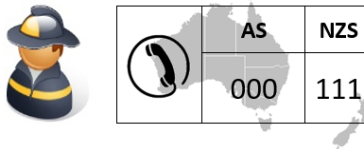
- The glass should be kept reasonably clean by the airwash.  
In cases where a log has been left too close to or touching the glass, or green wood/kindling has been used then use a glass cleaner available from your retailer.  
Ensure the glass cleaner does not come into contact with the metal parts or the rope seal.
- When removing excess ash when/as required when fire is cool, place ash in a non-combustible container with a tightly fitting lid and move outdoors immediately to a location clear of combustible materials.

### Maintenance

- At the end of the winter season, at which point the appliance will be out of use for some time, thoroughly clean out the ash and residues inside it without using any abrasive products.
- With the aid of a vacuum cleaner, vacuum the secondary air heating chamber above the lower baffle bricks.
- Over time, you may feel that the appliance needs to be repainted, if that is the case, paint the equipment using high temperature spray paint. Paint the equipment only when it is completely cold. Before painting, carefully cover any areas you do not want to soil (glass and fireplace) and follow the instructions on the paint can. Note the paint will produce a small odour in the first few firings, it is recommended to have a small fire initially and keep windows open for ventilation.
- Clean the chimney and the flame baffle at least once a year using a qualified technician if necessary.
- Periodically check and replace the door seal.
- Use only ADF recommended replacement parts.

## Fire Hazard

Your ADF equipment has been designed in accordance with existing legislation and in order to minimize any risk of fire in the chimney, however in such cases:



1. Keep calm and make sure the area is safe.
2. Close the stove door completely.
3. Completely close the combustion air inlet and, if possible to do safely, cover the flue/chimney outlet.
4. The fire should be extinguished by itself due to lack of oxygen.
5. In the absence of safety conditions, move away from danger and request immediate rescue to Firefighters through the emergency number: 000 for Australia.
6. Before using the appliance again, have the chimney inspected and cleaned by a qualified technician.

## 8-Troubleshooting

If you comply with the instructions given in this manual, you should not have any major problem in enjoying your appliance. However, before requesting service, please check the following:



1. All the instructions given in this manual are complied with.
2. If there has been any recent change in the periphery that may have given rise to the problem.
3. If the problem falls into the following points.

Problem (s)	Possible Cause	Correction
The appliance is smoking	<ul style="list-style-type: none"> <li>→ Closed smoke damper regulation (when door open)</li> <li>→ Wet or green firewood.</li> <li>→ Dirty or clogged chimney.</li> </ul>	<ul style="list-style-type: none"> <li>→ Check the baffle is moving freely when opening door.</li> <li>→ Use drier wood.</li> <li>→ Clean the chimney.</li> </ul>
Weak or inefficient burn	<ul style="list-style-type: none"> <li>→ Wet or green firewood.</li> <li>→ Dirty or clogged chimney.</li> <li>→ Insufficient firewood.</li> </ul>	<ul style="list-style-type: none"> <li>→ Use dry wood.</li> <li>→ Clean the chimney.</li> </ul>
Very fast burning	<ul style="list-style-type: none"> <li>→ Low density firewood.</li> <li>→ Poorly adjusted door</li> <li>→ Filling cord consumed</li> </ul>	<ul style="list-style-type: none"> <li>→ Load the stove with more dense firewood.</li> <li>→ Door readjustment</li> <li>→ Replacement of the cord</li> </ul>
The fire extinguishes	<ul style="list-style-type: none"> <li>→ Wet or green firewood.</li> <li>→ The appliance is not heated enough.</li> </ul>	<ul style="list-style-type: none"> <li>→ Use drier wood.</li> <li>→ Leave the air lever open for longer to get a bed of coals before turning to low.</li> </ul>
Blower not working	<ul style="list-style-type: none"> <li>→ The thermostat's operating temperature has not been reached</li> <li>→ Power failure</li> </ul>	<ul style="list-style-type: none"> <li>→ Load more firewood</li> <li>→ Check outlets and connections</li> </ul>
Dirty glass	<ul style="list-style-type: none"> <li>→ Wet or green firewood.</li> <li>→ Logs too close to or resting on the glass.</li> </ul>	<ul style="list-style-type: none"> <li>→ Slightly open the air inlet control</li> <li>→ Use dry wood.</li> <li>→ Keep logs parallel to and away from glass.</li> </ul>

If the problem persists, please contact your retailer of the original purchase, to assist you to resolve the problem.

## 9-Warranty Conditions

### Warranty:

ADF offers the purchaser of this appliance a limited 5-year warranty against manufacturing defects from the date of purchase:

Equipment structure	5-year Warranty
Electrical components	2-year Warranty
Glass, Refractory Firebricks, Door seal, Glass, Flame Grate, Paint	Not covered by warranty as their use is out of the manufacturers control and subject to quality of firewood, and user operation.

The warranty is voided by any evidence of tampering by unauthorised persons, misuse or abuse, or if the product has not be used as per the instructions.

Conditions to activate the warranty:

1. The appliance must be within the time limits described above (the date from which the product was purchased will be considered as the start of the warranty period).
2. The complaint must be presented and validated by one of our agents and endorsed by ADF.
3. The installation, use and maintenance conditions described in this manual have been strictly respected and no misuse has occurred or changes or modifications to the product.
4. The Warranty is limited to the replacement / repair by the ADF or its agent of the components known to be damaged and excludes any other type of cover or damages.

Our goods come with guarantees that cannot be excluded under the Australian Consumer Law. You are entitled to a replacement or refund for a major failure and for compensation for any other reasonably foreseeable loss or damage. You are also entitled to have the goods repaired or replaced if the goods fail to be of acceptable quality and the failure does not amount to a major failure.

The benefits given under this Limited Warranty are in addition to other rights and remedies you have under the Australian Consumer Law that cannot be excluded.



### Warranty Certificate

Reseller's name: \_\_\_\_\_

Model: \_\_\_\_\_ Serial number: \_\_\_\_\_

Sold to: \_\_\_\_\_ in: \_\_\_\_/\_\_\_\_/\_\_\_\_

Address: \_\_\_\_\_

Postal Code: \_\_\_\_ - \_\_\_\_ Tel: \_\_\_\_\_ Email: \_\_\_\_\_

Reseller's stamp

\_\_\_\_\_  
Client Signature

**Note:** The Warranty is limited to the replacement / repair by ADF or its agent of the components known to be defective and excludes any other type of coverage or compensation such as the costs of transportation, removal or reinstallation of the equipment.

#### ATTENTION

When the equipment is delivered, please check it.

The warranty only covers damage caused during transportation if notice was given and marked on the document acknowledging receipt of the device within 24 hours.

## Data Labels Found on Appliance:

### 820

TESTED BY:  AUSTRALIAN SOLID FUEL TESTING 3 GARDEN ST, MORWELL, VIC 3840 AUSTRALIA	Unit	TEST REPORT NO:  ASFT17109 DATED: 11/2017
WHEN TESTED IN ACCORDANCE WITH AS/NZS 4012:2014 & AS/NZS 4013:2014 Burning Hardwood		
Maximum Average Heat Output	kW	9.7
Overall Average Efficiency	%	63
Particulate Emission Factor	g/kg	0.8
Maximum firewood load	kg	9.7
Minimum clearance distances from combustible materials	mm	See Page 7.
Flue Diameter	mm	200
Imported By:  Castworks, 57 Industrial Drive, Braeside, Vic 3195		Manufactured by:  A.D.F. Lda. Z.I. Relvinha, Sarzedo A.P. 55 3304-909 Arganil-Portugal

### 1000

TESTED BY:  AUSTRALIAN SOLID FUEL TESTING 3 GARDEN ST, MORWELL, VIC 3840 AUSTRALIA	Unit	TEST REPORT NO:  ASFT17106 DATED: 11/2017
WHEN TESTED IN ACCORDANCE WITH AS/NZS 4012:2014 & AS/NZS 4013:2014 Burning Hardwood		
Maximum Average Heat Output	kW	12.5
Overall Average Efficiency	%	64
Particulate Emission Factor	g/kg	1.2
Maximum firewood load	kg	13.7
Minimum clearance distances from combustible materials	mm	See Page 8.
Flue Diameter	mm	200
Imported By:  Castworks, 57 Industrial Drive, Braeside, Vic 3195		Manufactured by:  A.D.F. Lda. Z.I. Relvinha, Sarzedo A.P. 55 3304-909 Arganil-Portugal

